



Speaker
Enceinte

NS-B500



OWNER'S MANUAL
MODE D'EMPLOI
BEDIENUNGSANLEITUNG
MANUAL DE INSTRUCCIONES
ИНСТРУКЦИЯ ПО ЭКСПЛУАТАЦИИ
使用说明书

English

Français

Deutsch

Español

Русский

中文

Thank you for selecting this YAMAHA product.

PRECAUTIONS

Read this before using the speaker.

- To assure the finest performance, please read this manual carefully. Keep it in a safe place for future reference.
- Install the speaker in a cool, dry, clean place - away from windows, heat sources, sources of excessive vibration, dust, moisture and cold. Avoid sources of electrical noise (transformers, motors). To prevent fire or electrical shock, do not expose this unit to rain or water.
- To prevent the enclosure from warping or discoloring, do not place the speaker where it will be exposed to direct sunlight or excessive humidity.
- Do not place the following objects on the speaker:
 - Glass, china, small metallic etc.
If glass, etc., falls as a result of vibration and breaks, it may cause personal injury.
 - A burning candle, etc.
If the candle falls as a result of vibrations, it may cause fire and personal injury.
 - A vessel with water in it
If the vessel falls as a result of vibrations and water spills, it may cause damage to the speaker, and/or you may get an electric shock.
- Do not place the speaker where foreign material such as dripping water. It might cause fire, damage to this unit, and/or personal injury.
- Do not place the speaker where it is liable to be knocked over or struck by falling objects. Stable placement will also ensure better sound performance.
- Placing the speaker on the same shelf or rack as the turntable can result in acoustical feedback.
- Any time you notice distortion, reduce the volume control on your amplifier. Never allow your amplifier to be driven into "clipping." Otherwise the speaker may be damaged.
- When using an amplifier with a rated output power higher than the nominal input power of the speaker, care should be taken never to exceed the speaker's maximum input.

- Do not attempt to clean the speaker with chemical solvents, as this might damage the finish. Use a clean, dry cloth.
- Do not attempt to modify or repair the speaker. Contact qualified YAMAHA service personnel when any service is needed. The cabinet should never be opened for any reasons.
- **Secure placement and installation is the owner's responsibility. YAMAHA shall not be liable for any accident caused by improper placement or installation of speakers.**

Taking care of the speaker

To maintain the spotless glossy surface of the polished finish, wipe it with a soft, dry cloth. To avoid damage to the finish, do not apply chemical solvents, such as alcohol, benzene, thinner, insecticide, etc. Also, do not use a damp cloth, or any type of cloth that contains chemical solvents, or place a plastic or vinyl sheet on top of the speaker. Otherwise, the finish may peel, the color may fade, or the sheet may stick to the surface.

Yamaha recommends that you use a Yamaha Unicon cloth (sold separately). For heavy dirt, use a Yamaha Piano Unicon (sold separately). You can purchase a Yamaha Unicon cloth and Piano Unicon at your nearest Yamaha dealer.

Information for Users on Collection and Disposal of Old Equipment



This symbol on the products, packaging, and/or accompanying documents means that used electrical and electronic products should not be mixed with general household waste.

For proper treatment, recovery and recycling of old products, please take them to applicable collection points, in accordance with your national legislation and the Directives 2002/96/EC.

By disposing of these products correctly, you will help to save valuable resources and prevent any potential negative effects on human health and the environment which could otherwise arise from inappropriate waste handling.

For more information about collection and recycling of old products, please contact your local municipality, your waste disposal service or the point of sale where you purchased the items.

[Information on Disposal in other Countries outside the European Union]

This symbol is only valid in the European Union. If you wish to discard these items, please contact your local authorities or dealer and ask for the correct method of disposal.

CONTENTS

SUPPLIED ACCESSORY	3
PLACING THE SPEAKERS	3
CONNECTING TO YOUR AMPLIFIER	5
ATTACHING THE GRILLE.....	5
SPECIFICATIONS	6

SUPPLIED ACCESSORY

After unpacking, make sure that the following accessory is included.



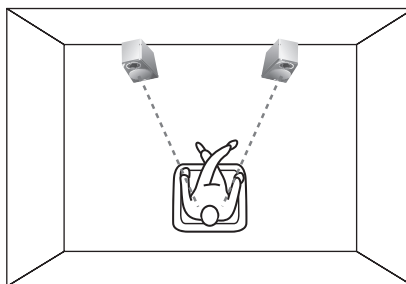
Grille (x1)

The grille is detached from the speaker and packed separately. Be careful not to lose it.

PLACING THE SPEAKERS

■ Using as 2ch stereo speakers

Better stereo images will be obtained when the speakers are slightly angled in towards the listener.

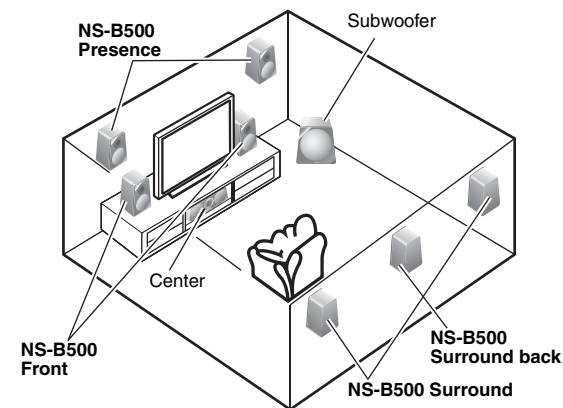


■ Using as front speakers in a multi-channel system

Position the speakers on both sides of the TV. The positioning of speakers is important, since this dictates the overall sound quality of the multi-channel system. Set up the speakers on the basis of your listening position by following the owner's manual supplied with your amplifier.

■ Using as presence or surround/ surround back speakers

Mount the speakers on a wall or place the speakers on a shelf. Determine the best position by following the owner's manual supplied with your amplifier.



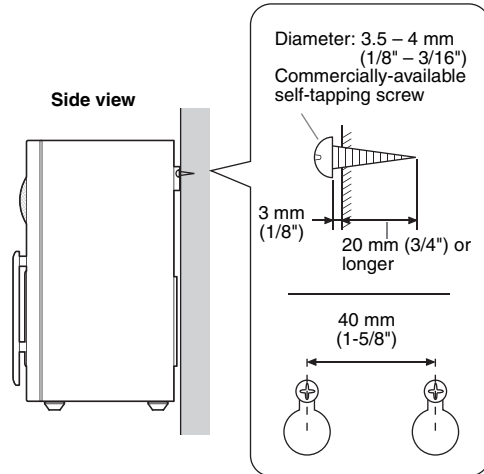
■ Mounting the speaker

• Wall-mount via the attached mounting bracket

Fasten commercially-available screws into a firm wall or wall support as shown in the figure, and hang the holes of the mounting bracket on the protruding screws.

Note

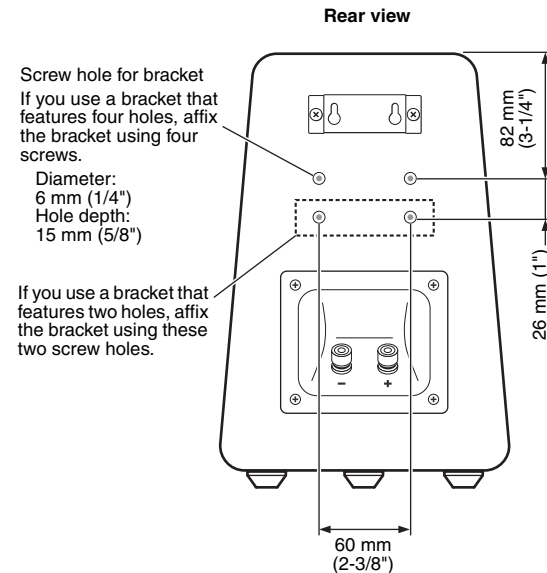
Make sure that the screws are securely in the narrow sections of the holes.



• Wall- or ceiling-mount via a commercially-available speaker bracket

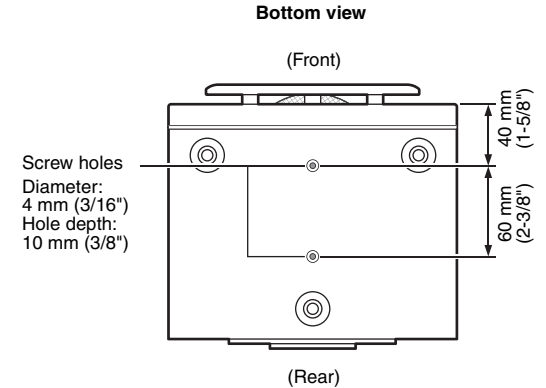
You can use the screw holes on the rear of this unit for installing the speaker to a commercially-available speaker bracket (if you do not use the factory-attached mounting bracket).

Please refer to the owner's manual that came with your speaker bracket.



• Using a commercially-available speaker stand

If you mount the speaker on a commercially-available speaker stand, use the mounting screw holes on the bottom of the speaker.



Notes

- Do not mount the speakers on thin plywood or on a wall with a soft surface material. Otherwise, the screws may pull out of the surface and the speakers may fall, possibly damaging the speakers or causing personal injury.
- Do not install the speaker on a wall using nails, adhesives, or any other unstable hardware. Long term use and vibration may cause it to fall.
- If you use a commercially-available bracket, choose one that would reliably supports the speaker's weight (3.5 kg; 7 lbs. 11 oz.).
- Be careful not to pinch the speaker cables between the speaker and the speaker bracket or speaker stand.
- To avoid accidents resulting from tripping over loose speaker cable, affix them securely to the wall.
- Placing the speakers too close to a CRT-type TV may impair the picture color or cause a buzzing noise. In this case, move the speakers away from the TV. This is not an issue with LCD and plasma TVs.

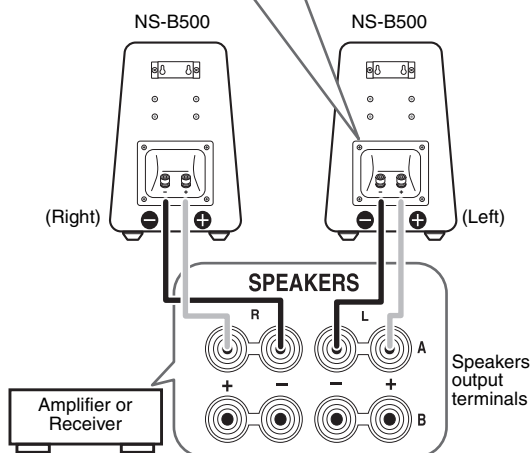
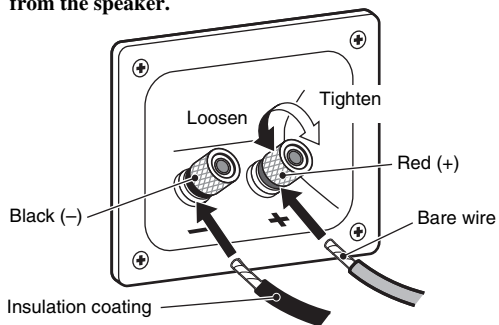
CONNECTING TO YOUR AMPLIFIER

Before making connections, make sure that the amplifier is switched off.

Standard connections

Note

Do not insert the insulation into the hole. If the connections are faulty, you will hear no sound from the speaker.

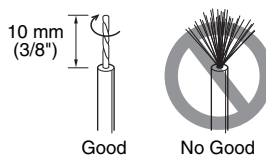


■ When connecting the speaker cable

- Do not let the bare speaker wires touch each other as this could damage the speaker or the amplifier.
- Make sure you connect the speakers with the correct polarity—positive (+) terminals to positive (+) terminals, and negative (-) terminals to negative (-) terminals. If you get them crossed over, the sound will be unnatural and lack bass.
- Please refer to the owner's manual that came with your amplifier or receiver.

■ How to connect the speaker cables

1. Loosen the terminal knob.
2. Remove 10 mm (3/8") of insulation from each end of the cables, and twist the exposed conductors together neatly and tightly, as shown below.

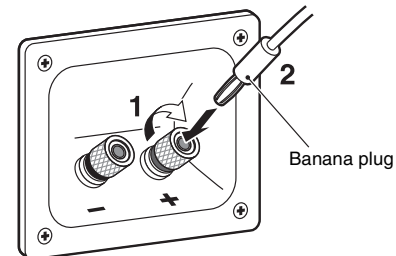


3. Insert the bare wire.
4. Tighten the knob and secure the cable.
5. Test the firmness of the connection by pulling lightly on the cable at the terminal.

Notes

- When using an amplifier with a rated output power higher than the nominal input power of the speaker, care should be taken never to exceed the speaker's maximum input.
- The speaker may be damaged if certain sounds are continuously output at high volume level. For example, if sine waves from a test disc, bass sounds from electronic instruments, etc., are continuously output, or when the stylus of a turntable touches the surface of a disc, reduce the volume level to prevent the speaker from being damaged.

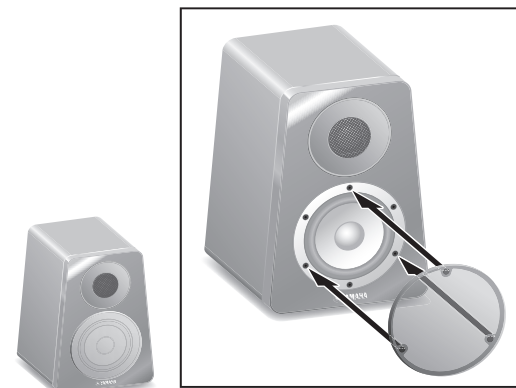
■ When using a banana plug



1. Tighten the terminal knob.
2. Simply insert the banana plug into the terminal.

ATTACHING THE GRILLE

The speaker and the grille are packed separately. To attach the grille, line up the projections (magnets) on the reverse side of the grille with their corresponding screw heads on the speaker.



Notes

- When removing the grille, be careful not to touch the drive units, and not to exert excessive force with any tools.
- Do not touch or apply impact to the speaker's diaphragm. Otherwise, the speaker may malfunction.
- There are magnets on the reverse side of the grille. Do not place the grille close to objects that might be affected by magnets, such as CRT TV, clock, magnetic card, diskette, etc., after removing it.

SPECIFICATIONS

Type	2-way acoustic suspension speaker system Non-Magnetic shielding type
Driver	12 cm (4-3/4") cone woofer × 1 Advanced PMD 3 cm (1") aluminum dome tweeter DC diaphragm
Impedance	6 Ω
Frequency Response	50 Hz to 50 kHz (−10 dB) 100 kHz (−30 dB)
Nominal Input Power	30 W
Maximum Input Power	120 W
Sensitivity	84 dB/2.83 V/m
Crossover Frequency	4.2 kHz
Dimensions (W×H×D)	190 × 284 × 177 mm (7-1/2" × 11-1/8" × 7")
Weight	3.5 kg (7 lbs. 11 oz.)

* Specifications subject to change without notice due to product improvements.

* A speaker cable is not included with this model.

Limited Guarantee for European Economic Area (EEA) and Switzerland

Thank you for having chosen a Yamaha product. In the unlikely event that your Yamaha product needs guarantee service, please contact the dealer from whom it was purchased. If you experience any difficulty, please contact Yamaha representative office in your country. You can find full details on our website (<http://www.yamaha-hifi.com/> or <http://www.yamaha-uk.com/> for U.K. resident).

The product is guaranteed to be free from defects in workmanship or materials for a period of two years from the date of the original purchase. Yamaha undertakes, subject to the conditions listed below, to have the faulty product or any part(s) repaired, or replaced at Yamaha's discretion, without any charge for parts or labour. Yamaha reserves the right to replace a product with that of a similar kind and/or value and condition, where a model has been discontinued or is considered uneconomic to repair.

Conditions

- The original invoice or sales receipt (showing date of purchase, product code and dealer's name) MUST accompany the defective product, along with a statement detailing the fault. In the absence of this clear proof of purchase, Yamaha reserves the right to refuse to provide free of charge service and the product may be returned at the customer's expense.
- The product MUST have been purchased from an AUTHORISED Yamaha dealer within the European Economic Area (EEA) or Switzerland.
- The product must not have been the subject of any modifications or alterations, unless authorised in writing by Yamaha.
- The following are excluded from this guarantee:
 - Periodic maintenance and repair or replacement of parts due to normal wear and tear.
 - Damage resulting from:
 - Repairs performed by the customer himself or by an unauthorised third party.
 - Inadequate packaging or mishandling, when the product is in transit from the customer. Please note that it is the customer's responsibility to ensure the product is adequately packaged when returning the product for repair.
 - Misuse, including but not limited to (a) failure to use the product for its normal purpose or in accordance with Yamaha's instructions on the proper use, maintenance and storage, and (b) installation or use of the product in a manner inconsistent with the technical or safety standards in force in the country where it is used.
 - Accidents, lightning, water, fire, improper ventilation, battery leakage or any cause beyond Yamaha's control.
 - Defects of the system into which this product is incorporated and/or incompatibility with third party products.
 - Use of a product imported into the EEA and/or Switzerland, not by Yamaha, where that product does not conform to the technical or safety standards of the country of use and/or to the standard specification of a product sold by Yamaha in the EEA and/or Switzerland.
- Where the guarantee differs between the country of purchase and the country of use of the product, the guarantee of the country of use shall apply.
- Yamaha may not be held responsible for any losses or damages, whether direct, consequential or otherwise, save for the repair or replacement of the product.
- Please backup any custom settings or data, as Yamaha may not be held responsible for any alteration or loss to such settings or data.
- This guarantee does not affect the consumer's statutory rights under applicable national laws in force or the consumer's rights against the dealer arising from their sales/purchase contract.

PRÉCAUTIONS

Lisez les consignes suivantes avant d'utiliser votre système d'enceintes.

- Pour utiliser l'appareil au mieux de ses possibilités, lisez attentivement ce mode d'emploi. Conservez-le soigneusement pour toute référence.
- Installez cette enceinte dans un endroit frais, sec et propre, à l'écart des fenêtres et à l'abri des sources de chaleur, des vibrations, de la poussière, de l'humidité et du froid. Évitez toute source de bruit électrique (transformateurs, moteurs). Pour éviter un incendie ou une électrocution, n'exposez pas cette enceinte à la pluie ni à l'humidité.
- Pour éviter que le coffret se gondole ou se décolore, ne placez pas l'enceinte dans un endroit exposé aux rayons directs du soleil ou à une trop forte humidité.
- Ne placez pas les objets suivants sur l'enceinte:
 - Un verre, de la porcelaine, des petits objets métalliques, etc.
Si le verre, etc. devait tomber à la suite de vibrations et se briser, il pourrait causer des blessures.
 - Une bougie allumée, etc.
Si la bougie devait tomber à la suite de vibrations, elle pourrait causer un incendie et des blessures.
 - Un récipient contenant de l'eau
Si le récipient devait tomber sous l'effet de vibrations et l'eau se répandre, ceci pourrait endommager l'enceinte et/ou provoquer une électrocution.
- Ne placez pas l'enceinte à un endroit où elle pourrait être exposé à des éclaboussures ou des gouttes d'eau. Ceci peut provoquer un incendie et/ou des blessures.
- Évitez d'installer l'enceinte à un endroit où des objets peuvent tomber. Un endroit stable améliorera en outre la qualité du son.
- Si l'enceinte est placée sur la même étagère ou sur le même meuble que la platine, un effet de retour sonore risque de se produire.
- Si des distorsions se produisent, réduisez le niveau sonore en baissant la commande de volume de l'amplificateur.

Veillez à éviter tout "écrêtage" de l'amplificateur. Vous risquez en effet d'endommager l'enceinte.

- Si vous utilisez un amplificateur dont la puissance de sortie nominale est supérieure à la puissance d'entrée nominale de l'enceinte, veillez à ne pas dépasser l'entrée maximale de l'enceinte.
- Ne nettoyez pas l'appareil au moyen d'un solvant chimique, car vous risquez d'endommager la finition. Utilisez un chiffon propre et sec.
- N'essayez pas de modifier ni de réparer l'enceinte. Contactez un technicien YAMAHA qualifié dès que l'enceinte nécessite une réparation. Le coffret ne doit être ouvert sous aucun prétexte.
- **Le propriétaire des enceintes est entièrement responsable du bon positionnement et de la bonne installation des enceintes. YAMAHA décline toute responsabilité en cas d'accident provoqué par un positionnement ou une installation inadéquats des enceintes.**

Entretien de l'enceinte

Pour conserver intact le brillant de la finition laquée, essuyez-la avec un chiffon doux et sec. Afin d'éviter d'endommager la finition, n'utilisez jamais de solvants chimiques tels que de l'alcool, du benzène, du dissolvant ou d'autres produits comme de l'insecticide, etc. Veillez en outre à ne pas utiliser de chiffon humide ni tout type de chiffon contenant des solvants chimiques; et ne posez pas de film plastique ou vinyle sur le caisson. Cela risquerait d'écailler la finition, de décolorer la surface du caisson ou de provoquer l'adhésion de la feuille.

Yamaha vous recommande d'utiliser un chiffon Yamaha Unicon (disponible en option). Pour les taches rebelles, utilisez du produit d'entretien Yamaha Piano Unicon (disponible en option). Procurez-vous un chiffon Yamaha Unicon et du produit d'entretien Yamaha Piano Unicon chez votre revendeur Yamaha.

Information concernant la Collecte et le Traitement des déchets d'équipements électriques et électroniques.



Le symbole sur les produits, l'emballage et/ou les documents joints signifie que les produits électriques ou électroniques usagés ne doivent pas être mélangés avec les déchets domestiques habituels.

Pour un traitement, une récupération et un recyclage appropriés des déchets d'équipements électriques et électroniques, veuillez les déposer aux points de collecte prévus à cet effet, conformément à la réglementation nationale et aux Directives 2002/96/EC.

En vous débarrassant correctement des déchets d'équipements électriques et électroniques, vous contribuez à la sauvegarde de précieuses ressources et à la prévention de potentiels effets négatifs sur la santé humaine qui pourraient advenir lors d'un traitement inapproprié des déchets.

Pour plus d'informations à propos de la collecte et du recyclage des déchets d'équipements électriques et électroniques, veuillez contacter votre municipalité, votre service de traitement des déchets ou le point de vente où vous avez acheté les produits.

[Information sur le traitement dans d'autres pays en dehors de l'Union Européenne]

Ce symbole est seulement valable dans l'Union Européenne. Si vous souhaitez vous débarrasser de déchets d'équipements électriques et électroniques, veuillez contacter les autorités locales ou votre fournisseur et demander la méthode de traitement appropriée.

SOMMAIRE

ACCESSOIRE FOURNI.....	2
INSTALLATION DES ENCEINTES	2
RACCORDEMENT À VOTRE AMPLIFICATEUR.....	4
FIXATION DE LA GRILLE	5
CARACTÉRISTIQUES TECHNIQUES.....	5

ACCESSOIRE FOURNI

Après le déballage, assurez-vous que l'accessoire suivant vous a bien été livré.



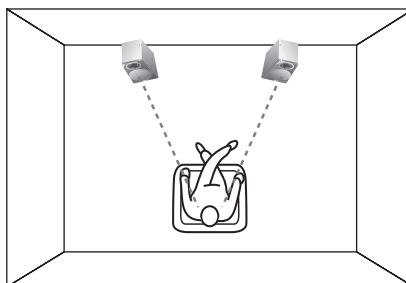
Grille (x1)

La grille est détachée de l'enceinte et emballée séparément. Faites attention de ne pas la perdre.

INSTALLATION DES ENCEINTES

■ Utilisation comme enceintes stéréo à 2 canaux

Une meilleure image stéréo est obtenue si les enceintes sont légèrement orientées vers l'auditeur.

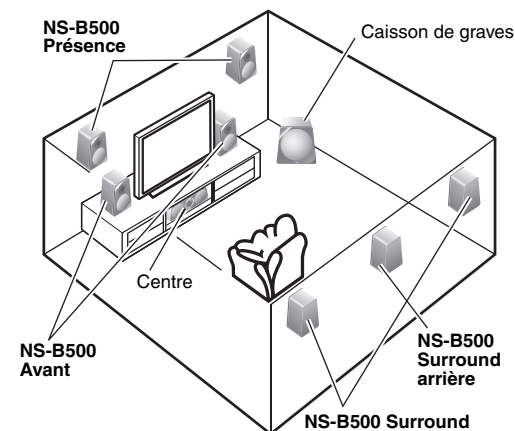


■ Utilisation des enceintes avant dans un système multi-canaux

Positionnez les enceintes de chaque côté du téléviseur. Le positionnement des enceintes est important, car il détermine la qualité sonore du système multi-canaux. Placez les enceintes par rapport à votre position d'écoute habituelle en vous référant au mode d'emploi fourni avec votre amplificateur.

■ Utilisation comme enceintes de présence ou surround/surround arrière

Fixez les enceintes sur le mur ou posez-les sur une étagère. Déterminez la meilleure position en suivant les instructions du mode d'emploi livré avec votre amplificateur.



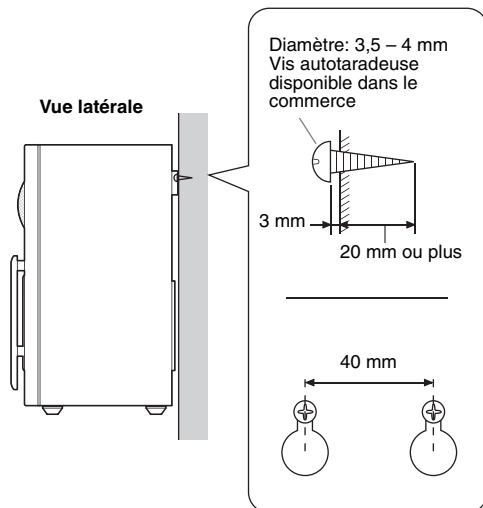
■ Montage de l'enceinte

• Montage mural à l'aide de l'applique fixée

Fixez des vis, disponibles dans le commerce, sur un mur ou un support mural solide comme illustré ci-dessous, puis accrochez l'applique aux vis en saillie.

Remarque

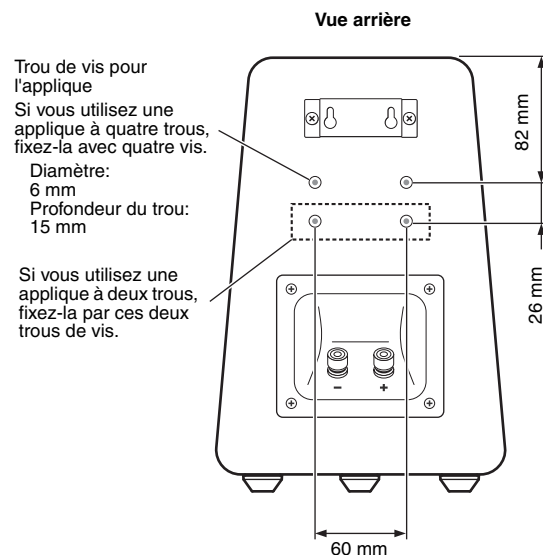
Assurez-vous que les vis sont correctement insérées dans la partie étroite des trous.



• Montage mural ou au plafond à l'aide d'une applique, disponible dans le commerce

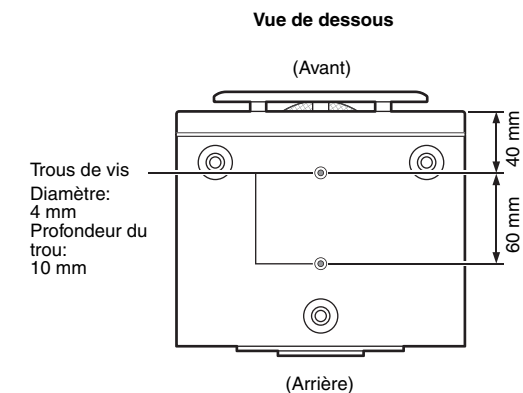
Vous pouvez également utiliser les trous de vis à l'arrière de l'enceinte pour fixer l'enceinte à l'aide d'une applique d'enceinte, disponible dans le commerce (si vous ne souhaitez pas utiliser l'applique fournie).

Veillez vous référer au mode d'emploi fourni avec l'applique d'enceinte.



• Utilisation d'un support d'enceinte, disponible dans le commerce

Si vous installez l'enceinte sur un support d'enceinte, disponible dans le commerce, utilisez les trous de vis sous l'enceinte.



Remarques

- Ne montez pas les enceintes sur du contreplaqué ou un mur recouvert d'une surface molle. Sinon, les vis peuvent se détacher de la surface et les enceintes tomber, endommageant les enceintes ou causant des blessures.
- N'installez pas l'enceinte sur un mur à l'aide de clous, de ruban adhésif ou d'un autre matériau instable. L'emploi et les vibrations à long terme pourraient entraîner sa chute.
- Si vous utilisez une applique disponible dans le commerce, choisissez-en une capable de supporter le poids de l'enceinte (3,5 kg).
- Veillez à ne pas coincer les câbles d'enceinte entre l'enceinte et l'applique ou le support d'enceinte.
- Pour éviter de trébucher sur les câbles des enceintes et de vous blesser, fixez les câbles au mur.
- L'installation des enceintes trop près d'un téléviseur à tube cathodique peut détériorer la couleur des images ou causer un bourdonnement. Le cas échéant, éloignez les enceintes du téléviseur. Le problème ne se pose pas avec les téléviseurs à écran LCD ou plasma.

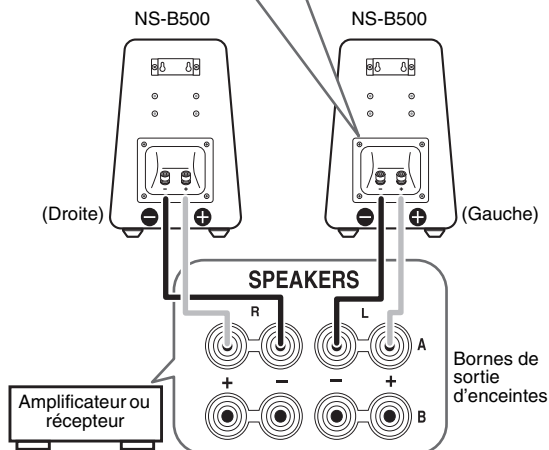
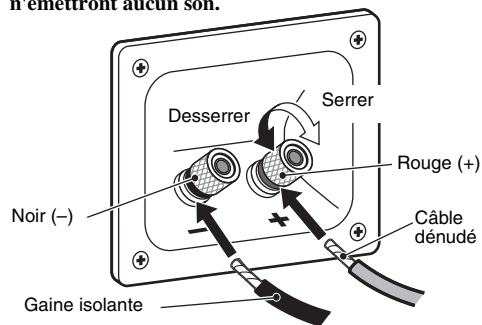
RACCORDEMENT À VOTRE AMPLIFICATEUR

Avant de raccorder les enceintes, assurez-vous que l'amplificateur est hors tension.

Raccordements standard

Remarque

N'insérez pas la gaine isolante dans l'orifice. Si les raccordements sont mal effectués, les enceintes n'émettront aucun son.

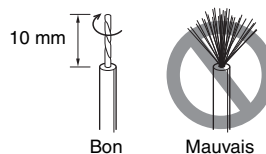


Lorsque vous raccordez le câble d'enceinte

- Ne laissez pas les câbles dénudés entrer en contact les uns avec les autres. Cela risquerait d'endommager l'enceinte ou l'amplificateur.
- Veillez à raccorder les enceintes en respectant la polarité—bornes positives (+) aux bornes positives (+) et bornes négatives (-) aux bornes négatives (-). Si vous inversez la polarité, le son ne sera pas naturel et les graves insuffisants.
- Veuillez vous référer au mode d'emploi fourni avec votre amplificateur ou récepteur.

Comment raccorder les câbles d'enceintes

1. Desserrez le boulon de la borne.
2. Retirez 10 mm de la gaine isolante à l'extrémité de chaque câble d'enceinte et torsadez proprement et fermement les fils exposés.

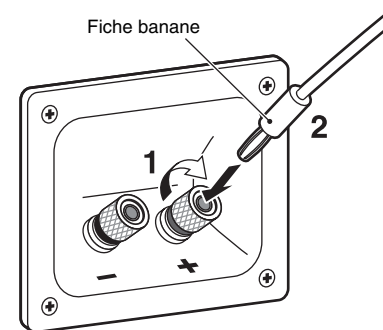


3. Insérez le câble dénudé.
4. Serrez le boulon et fixez le câble.
5. Vérifiez si le câble est fermement inséré en tirant légèrement dessus au niveau de la borne.

Remarques

- Si vous utilisez un amplificateur dont la puissance de sortie nominale est supérieure à la puissance d'entrée nominale de l'enceinte, veillez à ne pas dépasser l'entrée maximale de l'enceinte.
- L'enceinte peut être endommagée si certains sons sont produits à volume élevé en continu. Par exemple, si les ondes sinusoïdales d'un disque test, les graves d'instruments électroniques, etc. sont fournis sans interruption, ou si le stylet d'une platine tourne-disque touche la surface d'un disque, réduisez le niveau sonore pour éviter d'endommager l'enceinte.

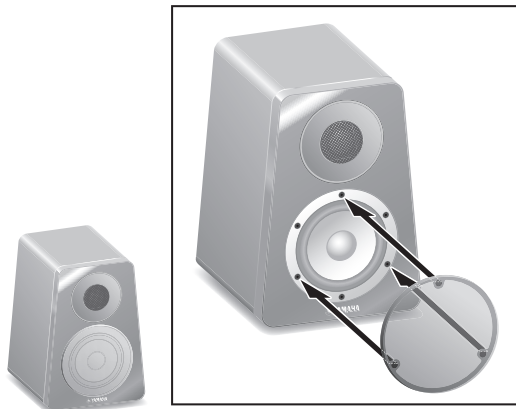
Lorsqu'une fiche banane est utilisée



1. Serrez le boulon de la borne.
2. Insérez simplement la fiche banane dans la borne.

FIXATION DE LA GRILLE

L'enceinte et la grille sont emballées séparément. Pour fixer la grille, alignez les saillies magnétiques situées au dos de la grille sur les têtes de vis correspondantes de l'enceinte.



Remarques

- Lorsque vous retirez la grille, faites attention de ne pas toucher les excitateurs et de ne pas exercer de force excessive avec un outil.
- Ne touchez pas ou n'exercez pas de force sur le diaphragme du haut-parleur. Le haut-parleur risquerait sinon de ne plus fonctionner correctement.
- Des aimants sont placés au dos de la grille. Après avoir retiré la grille, ne la placez pas à proximité d'objets sensibles aux aimants, tels qu'un téléviseur à tube cathodique, une horloge, une carte magnétique, une disquette, etc.

CARACTÉRISTIQUES TECHNIQUES

Type

..... Système d'enceintes à suspension acoustique à 2 voies
Type à blindage antimagnétique

Excitateur Woofer à cône de 12 cm × 1
PMD avancé
Haut-parleur d'aigus à dôme en aluminium de 3 cm
Diaphragme DC

Impédance 6 Ω

Réponse en fréquence 50 Hz à 50 kHz (-10 dB)
100 kHz (-30 dB)

Puissance d'entrée nominale 30 W

Puissance d'entrée maximale 120 W

Sensibilité 84 dB/2,83 V/m

Fréquence de transfert 4,2 kHz

Dimensions (L×H×P) 190 × 284 × 177 mm

Poids 3,5 kg

* Dans un souci d'amélioration de ses produits, Yamaha se réserve le droit de modifier les caractéristiques techniques sans préavis.

* Aucun câble d'enceinte n'est fourni avec ce modèle.

Garantie Limitée pour l'Espace Économique Européenne et la Suisse

Merci d'avoir porté votre choix sur un produit Yamaha. Dans l'hypothèse où vous devriez recourir au service de notre garantie après-vente, veuillez contacter votre revendeur Yamaha. Si vous rencontrez la moindre difficulté, n'hésitez pas à contacter directement Yamaha dans votre pays de résidence. Vous pouvez trouver toutes informations complémentaires sur notre site Web (<http://www.yamaha-hifi.com/> ou <http://www.yamaha-uk.com/> pour les résidents au Royaume-Uni).

Yamaha garantit votre produit contre tout défaut de fabrication, pièces et main d'œuvre, pour une durée de 2 ans à compter de la première date de vente au détail. Yamaha s'engage, dans les conditions décrites ci-après, à procéder à la réparation du produit défectueux (ou d'un quelconque de ses composants) ou à son remplacement à l'appréciation de Yamaha en prenant à sa charge les coûts relatifs aux pièces détachées et à la main d'œuvre. Yamaha se réserve le droit de remplacer le produit par un modèle semblable, de par sa valeur et ses caractéristiques, dès lors que la commercialisation dudit produit a cessé ou bien lorsque sa réparation s'avère économiquement injustifiée.

Conditions

1. La facture d'achat originelle ou un justificatif d'achat correspondant (indiquant la date d'achat, la référence du produit et le nom du revendeur) DOIT accompagner le produit défectueux, ainsi qu'une description précise du dysfonctionnement constaté. En l'absence de cette preuve d'achat, Yamaha se réserve le droit de refuser le service de la garantie et le produit peut être restitué aux frais du consommateur.
2. Le produit DOIT avoir été acheté par un distributeur agréé Yamaha au sein de l'Espace Economique Européen ou en Suisse.
3. Le produit doit n'avoir fait l'objet d'aucune modification ou altération, sauf accord écrit de Yamaha.
4. Les cas suivants font obstacle à l'application de la garantie:
 - a. Entretien périodique et réparation ou remplacement de pièces ayant subi une usure ou défaillance normale.
 - b. Dommages résultant de:
 - (1) Réparation effectuée par le consommateur lui-même ou par un tiers non autorisé.
 - (2) Emballage ou manutention inadéquats lors du transport du produit pour réparation. Veuillez noter qu'il est de la responsabilité de l'expéditeur de s'assurer que le produit est correctement emballé.
 - (3) Utilisation non-conforme du produit, correspondant aux cas non limitatifs (a) d'utilisation non-conforme à l'objet normal du produit ou nonconforme aux instructions d'utilisation, de maintenance ou d'installation publiées par Yamaha, (b) ou d'utilisation du produit incompatible avec les normes techniques ou de sécurité en vigueur au sein du pays d'utilisation.
 - (4) Accidents, foudre, dégât des eaux, incendie, ventilation incorrecte, fuite de pile ou toute autre cause échappant au contrôle de Yamaha.
 - (5) Les défauts de la configuration dans laquelle ce produit est incorporé et/ou l'incompatibilité avec des produits tiers.
 - (6) Produit importé au sein de l'EEE, et/ou en Suisse, par une autre entité que Yamaha, dès lors que ce produit n'est pas conforme aux normes techniques ou de sécurité du pays d'utilisation et/ou aux normes des produits commercialisés par Yamaha au sein de l'EEE et/ou en Suisse.
5. Lorsque la garantie diffère entre le pays d'achat et le pays d'utilisation du produit, la garantie du pays d'utilisation est applicable.
6. Yamaha ne saurait être tenu pour responsable de quelconques pertes ou dommages, directs, consécutifs ou autres, sa responsabilité au titre de la garantie étant strictement limitée à la réparation ou au remplacement du produit.
7. Nous vous invitons à sauvegarder toutes les données ou réglages personnalisés de votre produit, Yamaha ne pouvant être tenu responsable de leur modification ou perte.
8. La présente garantie laisse intégralement subsister les droits que le consommateur peut détenir au titre de la garantie légale en vigueur ou au titre du contrat de vente conclu avec son revendeur.

VORSICHTSMASSNAHMEN

Lesen Sie diese Informationen, bevor Sie den Lautsprecher verwenden.

- Bitte lesen Sie diese Bedienungsanleitung sorgfältig durch, damit die beste Geräteleistung gewährleistet werden kann. Heben Sie die Bedienungsanleitung auf, um auch später noch nachschlagen zu können.
- Stellen Sie den Lautsprecher an einem kühlen, trockenen und sauberen Platz auf, entfernt von Fenstern, Wärmequellen, Erschütterungsquellen, Staub, Feuchtigkeit und Kälte. Meiden Sie Quellen von elektrischen Störgeräuschen (Transformatoren, Motoren). Das Gerät darf keinem Regen oder Feuchtigkeit ausgesetzt werden, um einen Brand oder Stromschlag zu vermeiden.
- Um ein Verziehen oder Verfärben des Gehäuses zu verhindern, sollten Sie die Lautsprecher nicht in direktem Sonnenlicht oder an Orten aufstellen, an denen eine hohe Luftfeuchtigkeit herrscht.
- Stellen Sie nicht folgende Gegenstände auf den Lautsprecher:
 - Glas, Porzellan, kleine metallische Gegenstände usw. Wenn Glas usw. aufgrund von Vibrationen herunterfällt und zerbricht, können möglicherweise Personenschäden verursacht werden.
 - Eine brennende Kerze usw. Wenn eine Kerze aufgrund von Vibrationen herunterfällt, können möglicherweise ein Brand und Personenschäden verursacht werden.
 - Ein Gefäß mit Wasser Wenn ein Gefäß mit Wasser aufgrund von Vibrationen herunterfällt und Wasser ausläuft, können die Lautsprecher möglicherweise beschädigt werden und/oder Sie können einen elektrischen Schlag bekommen.
- Stellen Sie die Lautsprecher nicht dort auf, wo Fremdstoffe, wie z. B. Wassertropfen auftreten. Dadurch können ein Brand, Schäden am Gerät und/oder Personenschäden verursacht werden.
- Stellen Sie den Lautsprecher nicht dort auf, wo er leicht umfallen oder wo Gegenstände auf ihn fallen könnten.

Ein stabiler Aufstellungsort trägt auch zu einer besseren Tonwiedergabe bei.

- Falls der Lautsprecher im gleichen Regal wie der Plattenspieler aufgestellt wird, können Rückkopplungen auftreten.
- Bei Auftreten von Verzerrungen müssen Sie den Lautstärkepegel am Verstärker reduzieren. Der Verstärker darf nicht in „Clipping“ verfallen. Andernfalls kann der Lautsprecher beschädigt werden.
- Wenn Sie einen Verstärker verwenden, dessen Nennleistung oberhalb der nominellen Aufnahmeleistung des Lautsprechers liegt, so darf die Belastbarkeitsgrenze des Lautsprechers niemals überschritten werden.
- Versuchen Sie nicht, den Lautsprecher mit chemischen Lösungsmitteln zu reinigen, da diese zu einer Beschädigung der Oberfläche führen könnte. Verwenden Sie ein sauberes, trockenes Tuch.
- Versuchen Sie nicht den Lautsprecher zu modifizieren oder zu reparieren. Kontaktieren Sie einen qualifizierten YAMAHA-Kundendienst, wenn eine Reparatur erforderlich sein sollte. Das Gehäuse darf unter keinen Umständen geöffnet werden.
- **Eine sichere Aufstellung oder Installation liegt in der Verantwortung des Besitzers. YAMAHA kann keine Verantwortung für Unfälle übernehmen, die durch unsachgemäße Aufstellung oder falsches Anschließen der Lautsprecher verursacht werden.**

Pflege des Lautsprechers

Wischen Sie die Oberfläche mit einem weichen, trockenen Tuch, um das glänzende Finish zu erhalten. Vermeiden Sie zum Schutz des Finish den Kontakt mit chemischen Lösungsmitteln wie Alkohol, Benzin, Verdünnern oder Insektizid. Verwenden Sie außerdem keine mit Wasser oder chemischen Lösungsmitteln befeuchteten Tücher. Schützen Sie den Lautsprecher ggf. mit einer Plastiktüte oder -abdeckung. Anderenfalls könnte das Finish abblättern oder verblassen bzw. das Tuch anhaften.

Yamaha empfiehlt die Verwendung eines (getrennt erhältlichen) Yamaha Unicon Tuchs. Verwenden Sie bei starker Verschmutzung ein (getrennt erhältliches) Yamaha Piano Unicon Tuch. Yamaha Unicon und Piano Unicon Tücher können Sie über Ihren Ihren Yamaha Fachhändler beziehen.

INHALT

ZUBEHÖR	2
AUFSTELLEN DER LAUTSPRECHER	2
ANSCHLIESSEN AN DEN VERSTÄRKER.....	4
BEFESTIGUNG DER BESPANNUNG	5
TECHNISCHE DATEN	5

ZUBEHÖR

Stellen Sie nach dem Auspacken sicher, dass das folgende Zubehör vorhanden ist.



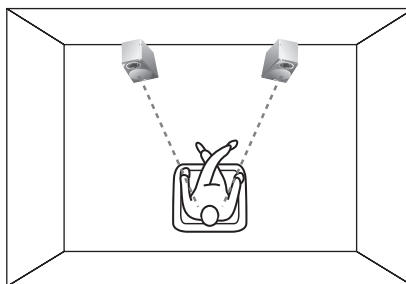
Lautsprecherbespannung (x1)

Die Bespannung ist vom Lautsprecher getrennt und separat verpackt. Achten Sie darauf, sie nicht zu verlieren.

AUFSTELLEN DER LAUTSPRECHER

■ Verwendung als 2-Kanal-Stereolautsprecher

Wenn die Lautsprecher in Richtung Hörposition leicht angewinkelt aufgestellt werden, wird ein besseres Stereoklangbild erzielt.

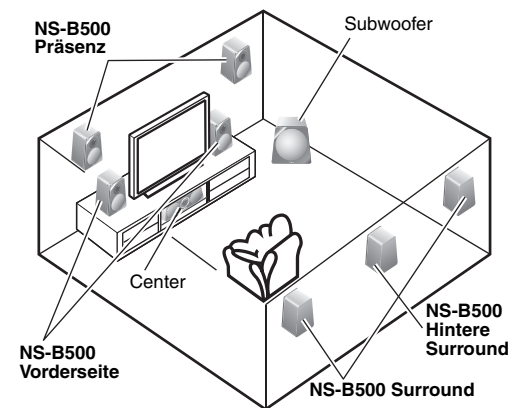


■ Verwendung als Frontlautsprecher innerhalb eines Mehrkanal-Systems

Stellen Sie die Lautsprecher auf beiden Seiten des Fernsehgerätes auf. Die Position der Lautsprecher ist hier von großer Wichtigkeit, da dies einen entscheidenden Einfluss auf die Gesamt-Tonqualität des Mehrkanal-Systems hat. Stellen Sie die Lautsprecher je nach Hörposition anhand der im Lieferumfang des Verstärkers enthaltenen Bedienungsanleitung auf.

■ Verwendung als Präsenz- oder Surround/hintere Surround-Lautsprecher

Bringen Sie die Lautsprecher an einer Wand an oder stellen Sie sie auf ein Regal. Bestimmen Sie anhand der mit Ihrem Verstärker gelieferten Bedienungsanleitung die beste Position.



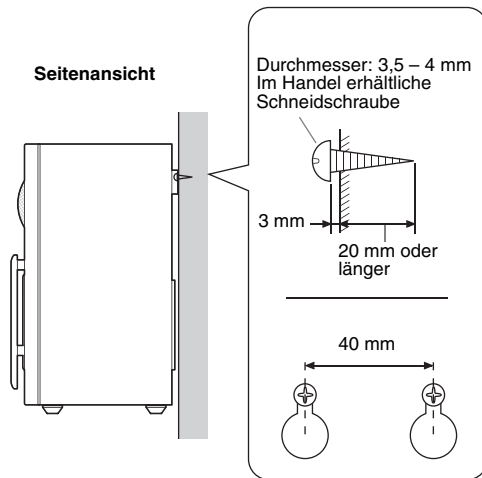
■ Aufstellen des Lautsprechers

• Wandanbringung über den beiliegenden Haltebügel

Befestigen Sie im Handel erhältliche Schrauben in einer stabilen Wand oder in einem Wandstützpfiler, wie in der Abbildung gezeigt, und hängen Sie die Löcher der Haltebügel in die hervorstehenden Schrauben ein.

Hinweis

Stellen Sie sicher, dass die Schrauben fest in den schmalen Abschnitten der Löcher sitzen.



• Wand- oder Deckenanbringung über einen im Handel erhältlichen Haltebügel

Sie können auch die Schraublöcher an der Rückseite dieser Einheit für die Montage des Lautsprechers mit einer im Handel erhältlichen Lautsprecherhalterung verwenden (wenn Sie den werkseitig angebrachten Haltebügel nicht verwenden möchten).

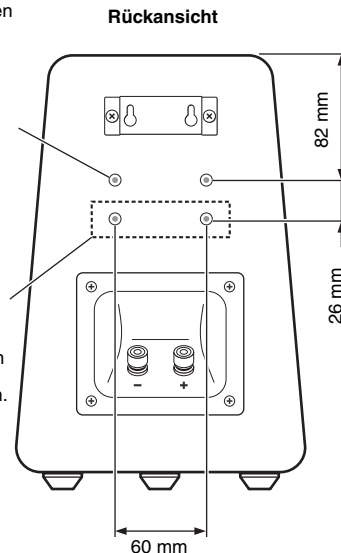
Bitte beachten Sie die mit dem Haltebügel des Lautsprechers mitgelieferte Bedienungsanleitung.

Schraublöcher für den Haltebügel

Wenn Sie einen Haltebügel mit vier Löchern verwenden, bringen Sie den Haltebügel mit vier Schrauben an.

Durchmesser: 6 mm
Lochtiefe: 15 mm

Wenn Sie einen Haltebügel mit zwei Löchern verwenden, bringen Sie den Haltebügel mit diesen beiden Schraublöchern an.

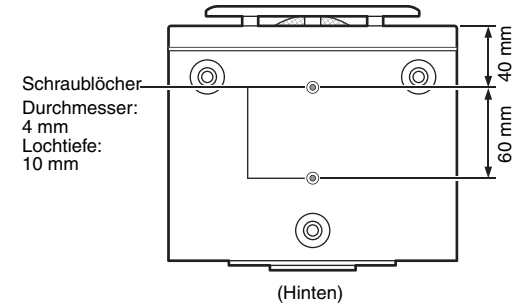


• Verwendung eines im Handel erhältlichen Lautsprecherständers

Wenn Sie den Lautsprecher auf einem im Handel erhältlichen Lautsprecherständer anbringen, verwenden Sie die Schraublöcher unten am Lautsprecher.

Bodenansicht

(Vorderseite)



Hinweise

- Befestigen Sie die Lautsprecher nicht an einer Sperrholzwand oder an einer Wand mit einem weichen Oberflächenmaterial. Andernfalls können die Schrauben aus der Oberfläche herausgezogen werden und die Lautsprecher können herunterfallen, was Sach- oder Personenschäden verursachen könnte.
- Montieren Sie den Lautsprecher nicht mit Nägeln, Klebeband oder anderen instabilen Metallwaren an der Wand. Er kann sonst durch langfristige Verwendung und Vibration herunterfallen.
- Wenn Sie einen im Handel erhältlichen Haltebügel verwenden, wählen Sie einen der das Gewicht der Lautsprecher zuverlässig trägt (3,5 kg).
- Achten Sie darauf, nicht die Lautsprecherkabel zwischen Lautsprecher und Lautsprecherbügel oder Lautsprecherständer einzuklemmen.
- Befestigen Sie die Kabel sicher an der Wand, um Unfälle durch lose Lautsprecherkabel zu verhindern, über die jemand stolpern kann.
- Wenn Sie die Lautsprecher zu nah an einem Röhrenfernsehgerät aufstellen, können Bildstörungen oder ein summendes Geräusch auftreten. In diesem Fall stellen Sie die Lautsprecher weiter vom Fernsehgerät entfernt auf. Bei LCD- und Plasma-Fernsehgeräten ist dies kein Problem.

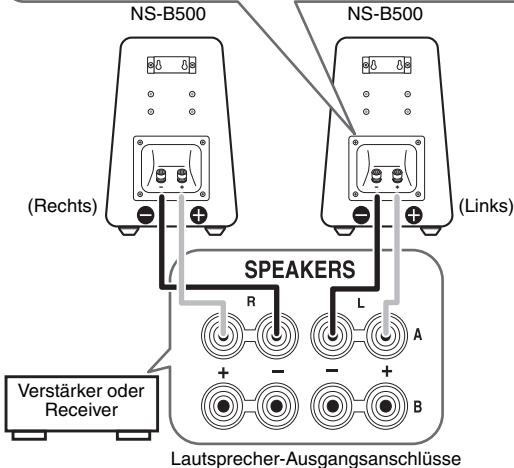
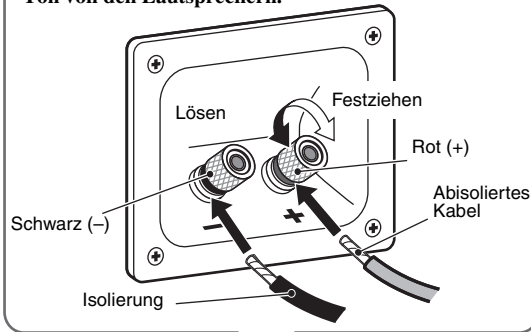
ANSCHLIESSEN AN DEN VERSTÄRKER

Vergewissern Sie sich, dass der Verstärker ausgeschaltet ist, bevor Sie die Anschlüsse durchführen.

Standard-Anschlüsse

Hinweis

Führen Sie nicht die Isolierungsbeschichtung in das Loch ein.
Wenn die Verbindungen locker sind, hören Sie keinen Ton von den Lautsprechern.

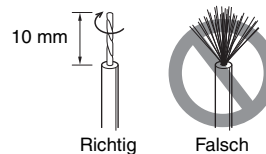


■ Beim Anschließen des Lautsprecherkabels

- Die bloßen Lautsprecherdrähte dürfen nicht miteinander in Berührung kommen, da dies den Lautsprecher oder den Verstärker beschädigen könnte.
- Stellen Sie sicher, dass Sie die Lautsprecher mit richtiger Polung anschließen – positive (+) Anschlüsse an positive (+) Anschlüsse, und negative (-) Anschlüsse an negative (-) Anschlüsse. Falls Sie den Anschluss überkreuz herstellen, wirkt die Tonwiedergabe unnatürlich und kraftlos.
- Bitte beachten Sie die mit dem Verstärker oder Receiver mitgelieferte Bedienungsanleitung.

■ Anschluss der Lautsprecherkabel

1. Lösen Sie den Knopf.
2. Entfernen Sie 10 mm der Isolierung an jedem Ende des Kabels und verdrehen Sie die freiliegenden Adern sauber und eng miteinander, wie unten gezeigt.



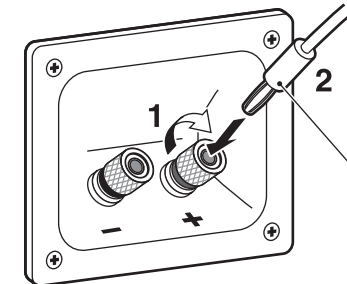
3. Führen Sie den bloßen Draht ein.
4. Ziehen Sie den Knopf wieder an und sichern Sie das Kabel.
5. Ziehen Sie leicht am Kabel, um zu kontrollieren, ob sie fest angeschlossen ist.

Hinweise

- Wenn Sie einen Verstärker verwenden, dessen Nennleistung oberhalb der nominellen Aufnahmeleistung des Lautsprechers liegt, so darf die Belastbarkeitsgrenze des Lautsprechers niemals überschritten werden.
- Der Lautsprecher kann beschädigt werden, wenn bestimmte Töne mit sehr hohem Lautstärkepegel ausgegeben wird. Wenn z.B. Sinuswellen von einer Test-Disc, Bässe von einem elektronischen Instrument usw. kontinuierlich ausgegeben werden oder wenn die Abtastnadel eines Plattenspielers die Plattenoberfläche berührt, stellen Sie den Lautstärkepegel niedriger, um Schäden an den Lautsprechern zu vermeiden.

■ Bei Verwendung eines Bananensteckers

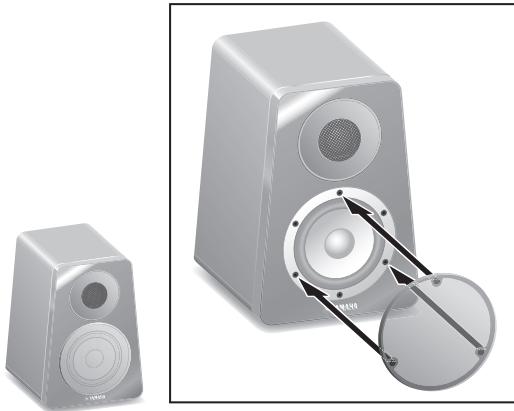
Bananenstecker



1. Ziehen Sie den Anschlussknopf fest.
2. Stecken Sie einfach den Bananenstecker in den Anschluss.

BEFESTIGUNG DER BESPANNUNG

Der Lautsprecher und die Bespannung sind separat verpackt. Um die Bespannung anzubringen, richten Sie die vorstehenden Teile (Magneten) der Rückseite der Bespannung an den entsprechenden Schraubenköpfen am Lautsprecher aus.



Hinweise

- Achten Sie beim Abnehmen der Bespannung darauf, dass Sie nicht die Treibereinheiten berühren und mit keinem Werkzeug übermäßigen Druck ausüben.
- Berühren Sie nicht die Lautsprechermembran und schützen Sie diese vor Stößen. Andernfalls kann die Funktion des Lautsprechers beeinträchtigt werden.
- Auf der Rückseite der Bespannung befinden sich Magneten. Platzieren Sie die Bespannung nicht in der Nähe von Objekten, die durch Magnete beeinflusst werden könnten, wie einem Röhren-Fernsehgerät, einer Uhr, Magnetkarte, Diskette usw., nachdem Sie sie abgenommen haben.

TECHNISCHE DATEN

Typ 2-Wege Acoustic Suspension Lautsprechersystem
Nicht magnetisch abgeschirmt

Treiber 12 cm Konus Tieftöner × 1
Advanced PMD
3 cm Aluminium Dome-Hochtöner
DC-Membran

Impedanz 6 Ω

Frequenzgang 50 Hz bis 50 kHz (–10 dB)
100 kHz (–30 dB)

Nenneingangsleistung 30 W

Maximale Eingangsleistung 120 W

Empfindlichkeit 84 dB/2,83 V/m

Übernahmefrequenz 4,2 kHz

Abmessungen (B×H×T) 190 × 284 × 177 mm

Gewicht 3,5 kg

- * Technische Daten können infolge von Produktverbesserungen ohne Ankündigung geändert werden.
- * Bei diesem Modell ist kein Lautsprecherkabel im Lieferumfang enthalten.

Verbraucherinformation zur Sammlung und Entsorgung alter Elektrogeräte



Befindet sich dieses Symbol auf den Produkten, der Verpackung und/oder beiliegenden Unterlagen, so sollten benutzte elektrische Geräte nicht mit dem normalen Haushaltsabfall entsorgt werden.

In Übereinstimmung mit Ihren nationalen Bestimmungen und den Richtlinien 2002/96/EC, bringen Sie alte Geräte bitte zur fachgerechten Entsorgung, Wiederaufbereitung und Wiederverwendung zu den entsprechenden Sammelstellen.

Durch die fachgerechte Entsorgung der Elektrogeräte helfen Sie, wertvolle Ressourcen zu schützen und verhindern mögliche negative Auswirkungen auf die menschliche Gesundheit und die Umwelt, die andernfalls durch unsachgerechte Müllentsorgung auftreten könnten.

Für weitere Informationen zum Sammeln und Wiederaufbereiten alter Elektrogeräte, kontaktieren Sie bitte Ihre örtliche Stadt- oder Gemeindeverwaltung, Ihren Abfallentsorgungsdienst oder die Verkaufsstelle der Artikel.

[Entsorgungsinformation für Länder außerhalb der Europäischen Union]

Dieses Symbol gilt nur innerhalb der Europäischen Union. Wenn Sie solche Artikel ausrangieren möchten, kontaktieren Sie bitte Ihre örtlichen Behörden oder Ihren Händler und fragen Sie nach der sachgerechten Entsorgungsmethode.

Begrenzte Garantie für den Europäischen Wirtschaftsraum (EWR) und die Schweiz

Herzlichen Dank, dass Sie sich für ein Yamaha Produkt entschieden haben. In dem unwahrscheinlichen Fall, dass die Garantie für das Yamaha-Produkt in Anspruch genommen werden muss, wenden Sie sich bitte an den Händler, bei dem es gekauft wurde. Sollten Sie auf Schwierigkeiten stoßen, wenden Sie sich bitte an die Yamaha Repräsentanz in Ihrem Land. Auf unserer Internetseite (<http://www.yamaha-hifi.com/> oder <http://www.yamaha-uk.com/> für Einwohner Großbritanniens) finden Sie alle Einzelheiten.

Wir garantieren für einen Zeitraum von zwei Jahren ab ursprünglichem Kaufdatum, dass dieses Produkt frei von Verarbeitungs- oder Materialfehlern ist. Yamaha verpflichtet sich, gemäß der nachstehend angeführten Bedingungen, ein fehlerhaftes Produkt (oder Teile desselben) kostenfrei (gilt für Teile und Arbeit) zu reparieren oder auszutauschen. Diese Entscheidung obliegt ausschließlich Yamaha. Yamaha behält sich vor, das Produkt gegen ein in Art und/oder Wert und Zustand ähnliches Produkt auszutauschen, wenn das entsprechende Modell nicht mehr erzeugt wird, oder die Reparatur als unrentabel angesehen wird.

Bedingungen

1. Dem defekten Produkt MUSS die Originalrechnung oder der Originalkaufbeleg (der Beleg muss das Kaufdatum, den Produkt-Code und den Namen des Händlers aufweisen) beigelegt werden, ebenso eine Fehlerbeschreibung. Bei Fehlen einer eindeutigen Kaufbestätigung behält sich Yamaha das Recht vor, den kostenfreien Service abzulehnen und das Produkt auf Kosten des Kunden zu retournieren.
2. Das Produkt MUSS von einem AUTORISIERTEN Yamaha-Händler innerhalb des Europäischen Wirtschaftsraums (EWR) oder der Schweiz gekauft worden sein.
3. Es wurden keine wie auch immer gearteten Änderungen am Produkt vorgenommen, außer diese wurden von Yamaha schriftlich genehmigt.
4. Folgendes ist von der Garantie ausgeschlossen:
 - a. Regelmäßige Wartung und Reparatur oder Austausch von Verschleißteilen.
 - b. Schaden durch:
 - (1) Vom Kunden selber oder von nichtbefugten Dritten ausgeführte Reparaturen.
 - (2) Unsachgemäße Verpackung oder Handhabung während des Transports vom Kunden. Beachten Sie bitte, dass die sachgerechte Verpackung des zur Reparatur gebrachten Produkts in der Verantwortung des Retournierenden liegt.
 - (3) Unsachgemäße Verwendung, einschließlich der, jedoch nicht beschränkt auf, (a) die Verwendung des Produkts zu anderen als den normalen Zwecken oder Behandlung entgegen die Anweisungen Yamahas zur korrekten Handhabung, Wartung oder Lagerung und (b) die Installierung oder Verwendung des Produkts auf andere Weise als dies den technischen oder Sicherheitsstandards jenes Landes entspricht, in dem das Produkt verwendet wird.
 - (4) Unfälle, Blitzschlag, Wasser, Feuer, ungeeignete Belüftung, Auslaufen der Batterie oder jedem anderen Grund, den Yamaha nicht beeinflussen kann.
 - (5) Defekte an jenem System, an welches dieses Produkt angeschlossen wird und/oder die Inkompatibilität mit Produkten anderer Hersteller.
 - (6) Die Verwendung eines nicht von Yamaha in den EWR und/oder die Schweiz importierten Produkts, wenn dieses Produkt nicht den technischen oder Sicherheitsstandards jenes Landes, in dem es verwendet wird, und/oder der standardisierten Produktspezifikation für von Yamaha im EWR und/oder der Schweiz vertriebene Produkte, entspricht.
5. Wenn es Unterschiede in den Garantiebedingungen zwischen jenem Land in dem das Produkt gekauft wurde, und jenem in dem das Produkt verwendet wird, finden die Garantiebedingungen jenes Landes Anwendung, in dem das Produkt verwendet wird.
6. Yamaha kann für keinerlei Verluste oder Schäden, ob direkt, in Konsequenz oder anderweitig, verantwortlich gemacht werden, außer bezüglich der Reparatur oder des Ersatzes eines Produkts.
7. Legen Sie bitte Kopien aller persönlichen Einstellungen und Daten an, da Yamaha weder für irgendwelche Änderungen noch für den Verlust solcher Daten verantwortlich gemacht werden kann.
8. Diese Garantie beeinflusst nicht die gesetzlichen Verbraucherrechte unter dem geltenden nationalen Recht oder die Verbraucherrechte gegenüber dem Händler, die durch einen Kaufvertrag entstehen.

PRECAUCIONES

Antes de utilizar el altavoz lea lo siguiente.

- Lea cuidadosamente este manual para obtener el mejor rendimiento posible. Manténgalo en un lugar seguro para utilizarlo como referencia en el futuro.
- Instale el altavoz en un lugar fresco, seco y limpio, alejado de ventanas, aparatos que produzcan calor, lugares con muchas vibraciones, polvo, humedad o frío. Evite aparatos que causen ruidos de zumbido (transformadores y motores). Para evitar incendios o descargas eléctricas, no ponga el altavoz a la lluvia o al agua.
- Para evitar que el exterior se deforme o se decolore, no instale el altavoz donde quede expuesto a los rayos del sol o a humedad excesiva.
- No colocar los siguientes objetos en el altavoz:
 - Vidrio, porcelana, objetos metálicos pequeños, etc. Si el vidrio, etc., se cae por la vibración y se rompe, puede causar lesiones personales.
 - Una vela encendida, etc. Si la vela se cae por las vibraciones, puede causar un incendio y lesiones personales.
 - Un recipiente con agua Si el recipiente se cae por las vibraciones y el agua se derrama puede provocar daños en el altavoz o puede recibir una descarga eléctrica.
- No coloque el altavoz en un lugar donde puedan caer objetos extraños como gotas de agua. Podría provocar un incendio, dañar el altavoz o sufrir lesiones personales.
- No instale el altavoz en un lugar donde pueda golpearse y caerse o pueda recibir el impacto de un objeto que caiga encima. Un lugar estable también producirá un mejor sonido.
- Si se instala el altavoz en el mismo estante o mueble que el tocadiscos puede provocar una realimentación del sonido.
- Si nota una distorsión del sonido, baje el control de volumen del amplificador. No permita que su amplificador entre en "corte". Podría dañar el altavoz.

- Cuando utilice un amplificador con una potencia de salida nominal más alta que la potencia de entrada nominal del altavoz, debe tener cuidado para no superar la entrada máxima del altavoz.
- No limpie el altavoz con disolventes químicos: podría dañar el acabado. Utilice un paño limpio y seco para la limpieza.
- No intente modificar ni arreglar el altavoz. Póngase en contacto con el personal del servicio técnico de YAMAHA cuando necesite sus servicios. En ningún caso debe abrir la caja.
- **La instalación en un lugar seguro es responsabilidad del propietario. YAMAHA no se hace responsable de ningún accidente provocado por una instalación incorrecta de los altavoces.**

Cuidados del altavoz

Para mantener impoluta la superficie satinada del acabado brillante, límpiela con un paño seco y suave. Para evitar dañar el acabado, no aplique disolventes químicos como el alcohol, bencina, disolventes, insecticidas, etc. No utilice tampoco un trapo húmedo o cualquier tipo de trapo que contenga disolventes químicos ni coloque una lámina de plástico o de vinilo encima del altavoz. Si lo hace, el acabado podría pelarse, el color desvanecerse o la lámina podría adherirse a la superficie.

Yamaha recomienda la utilización de un paño Unicon de Yamaha (de venta por separado). Si hay mucha suciedad, utilice Unicon para Piano de Yamaha (de venta por separado). Puede adquirir paños Unicon de Yamaha y Unicon para Piano en el concesionario Yamaha más cercano.

Información para Usuarios sobre Recolección y Disposición de Equipamiento Viejo



Este símbolo en los productos, embalaje, y/o documentación que se acompañe significa que los productos electrónicos y eléctricos usados no deben ser mezclados con desechos hogareños corrientes.

Para el tratamiento, recuperación y reciclado apropiado de los productos viejos, por favor llévelos a puntos de recolección aplicables, de acuerdo a su legislación nacional y las directivas 2002/96/EC.

Al disponer de estos productos correctamente, ayudará a ahorrar recursos valiosos y a prevenir cualquier potencial efecto negativo sobre la salud humana y el medio ambiente, el cual podría surgir de un inapropiado manejo de los desechos.

Para mayor información sobre recolección y reciclado de productos viejos, por favor contacte a su municipio local, su servicio de gestión de residuos o el punto de venta en el cual usted adquirió los artículos.

[Información sobre la Disposición en otros países fuera de la Unión Europea]

Este símbolo sólo es válido en la Unión Europea. Si desea deshacerse de estos artículos, por favor contacte a sus autoridades locales y pregunte por el método correcto de disposición.

CONTENIDO

ACCESORIO SUMINISTRADO.....	2
SITUACIÓN DE LOS ALTAVOCES.....	2
CONEXIÓN AL AMPLIFICADOR.....	4
FIJACIÓN DE LA REJILLA.....	5
ESPECIFICACIONES.....	5

ACCESORIO SUMINISTRADO

Después de desempacar, asegúrese de que esté incluido el accesorio siguiente.



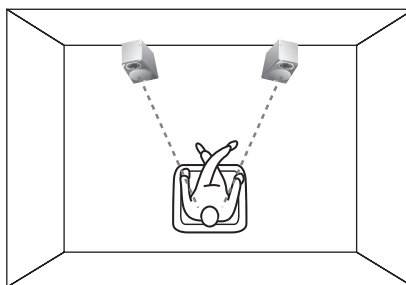
Rejilla (x1)

La rejilla está separada del altavoz y embalada por separado. Tenga cuidado de no perderla.

SITUACIÓN DE LOS ALTAVOCES

■ Utilización como altavoces estéreo de 2 canales

Se obtendrán mejores imágenes estéreo si los altavoces se giran un poco hacia el oyente.

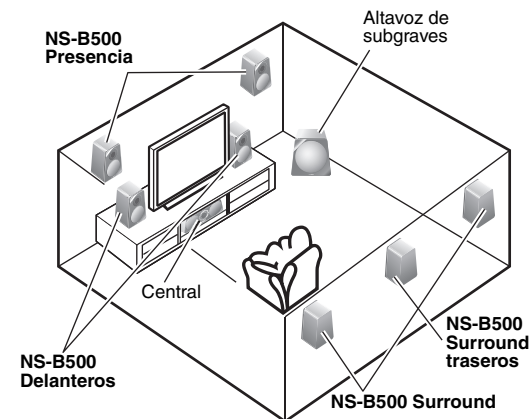


■ Utilización como altavoces delanteros en un sistema multicanal

Sitúe los altavoces a ambos lados del televisor. La situación de los altavoces es importante, porque controla toda la calidad del sonido en un sistema multicanal. Sitúe los altavoces basándose en su posición de audición y siempre según se indica en el manual de instrucciones suministrado con su amplificador.

■ Utilización como altavoces de presencia o surround traseros

Monte los altavoces en una pared o colóquelos en una estantería. Determine la mejor posición posible según lo descrito en el manual de instrucciones suministrado con el amplificador.



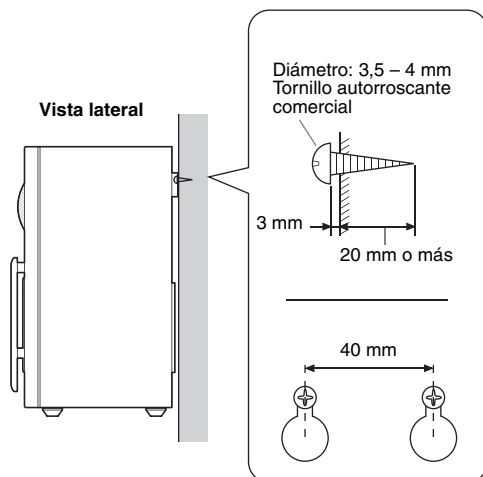
■ Montaje de los altavoces

• Montaje en pared con el soporte de montaje suministrado

Apriete tornillos comerciales en una pared firme o en un soporte para pared, tal como se muestra en la figura, y cuelgue los orificios del soporte de montaje en los tornillos que sobresalen.

Nota

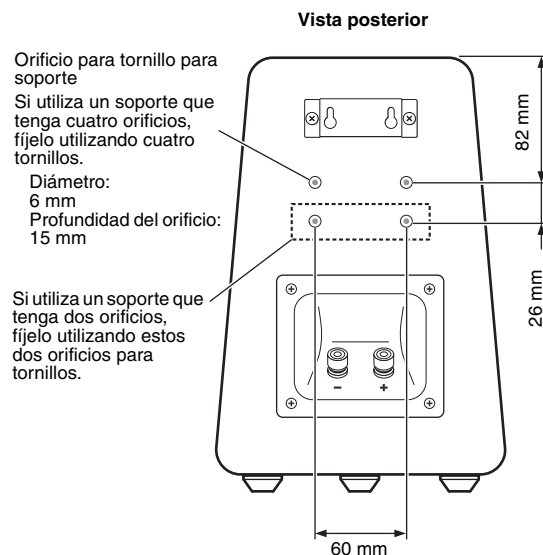
Es importante que los tornillos queden bien fijados en la sección más estrecha de los orificios.



• Montaje en pared o en el techo con un soporte comercial

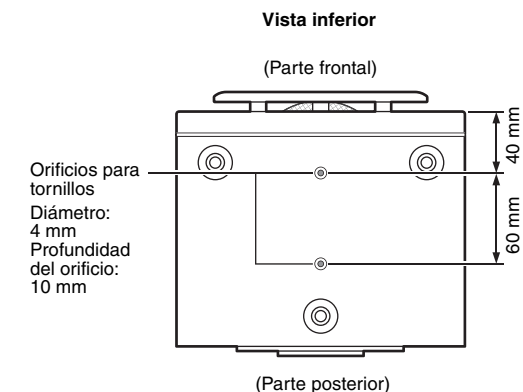
Puede utilizar los orificios para tornillos situados en la parte trasera de esta unidad para instalar el altavoz con un soporte comercial para altavoces (si no desea utilizar el soporte que se suministra).

Refiérase al manual de instrucciones suministrado con el para altavoz.



• Utilización de un pedestal para altavoz comercial

Si monta el altavoz en un pedestal para altavoz comercial, utilice los orificios para tornillos de montaje de la parte inferior del altavoz.



Notas

- No monte los altavoces en paredes de contrachapado fino ni de materiales poco robustos. De lo contrario, los tornillos podría salirse de la superficie y los altavoces podrían caer, dañando posiblemente los altavoces o causando lesiones personales.
- No instale el altavoz en la pared utilizando clavos, adhesivos ni cualquier otro sistema no incluido en este manual. El uso a largo plazo y la vibración podrían hacer que se caiga.
- Si utiliza un soporte comercial, elija uno que pueda soportar el peso del altavoz (3,5 kg).
- Tenga cuidado de no pillar los cables del altavoz entre éste y el soporte o el pedestal para altavoz.
- Fije firmemente el cable sobrante de los altavoces a la pared para evitar tropiezos y accidentes.
- Si ubica los altavoces demasiado cerca de un televisor de tubo rayos catódicos, se puede deteriorar el color de la imagen y aparecer ruido de zumbido. En este caso, aleje los altavoces del televisor. Esto no sucederá con televisores de LCD o plasma.

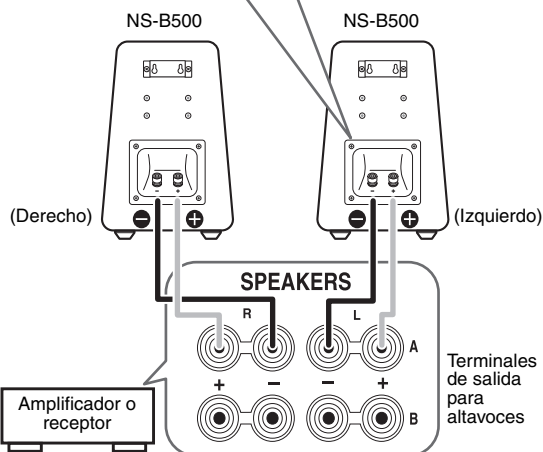
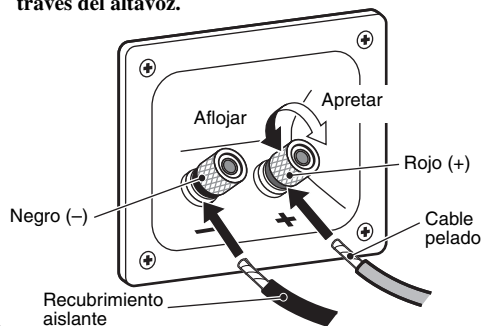
CONEXIÓN AL AMPLIFICADOR

Antes de realizar las conexiones, asegúrese de que el amplificador está apagado.

Conexiones estándar

Nota

No introduzca el recubrimiento aislante en el orificio. Si las conexiones son defectuosas, no oirá sonido a través del altavoz.

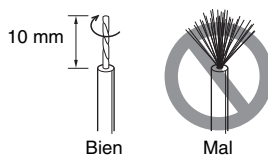


■ Cuando conecte el cable del altavoz

- No deje que los cables pelados se toquen; si lo hiciese, podría dañar el altavoz o el amplificador.
- Asegúrese de conectar los altavoces con la polaridad correcta — terminales positivos (+) a terminales positivos (+), y terminales negativos (-) a terminales negativos (-). Si los cruza, el sonido no será natural y habrá ausencia de bajos.
- Refiérase al manual de instrucciones suministrado con el amplificador o el receptor.

■ Cómo conectar los cables de los altavoces

1. Afloje la perilla del terminal.
2. Quite 10 mm de recubrimiento aislante en los extremos de cada cable del altavoz y tuérzalos con firmeza, tal como se indica a continuación.

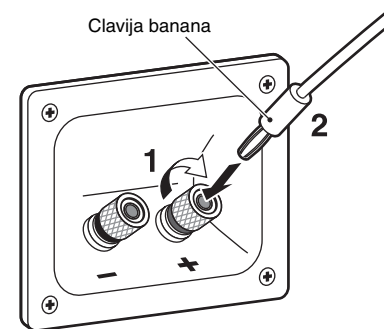


3. Inserte el cable pelado.
4. Apriete la perilla y asegure el cable.
5. Tire ligeramente del cable en el terminal para verificar que está firmemente conectado.

Notas

- Cuando utilice un amplificador con una potencia de salida nominal más alta que la potencia de entrada nominal del altavoz, debe tener cuidado para no superar la entrada máxima del altavoz.
- El altavoz puede dañarse si ciertos sonidos salen continuamente a gran nivel de volumen. Por ejemplo, si salen continuamente las ondas senoidales de un disco de prueba, sonidos de graves de instrumentos electrónicos, etc., o cuando la aguja de un giradiscos toca la superficie del disco, reduzca el nivel del volumen para evitar que se dañe el altavoz.

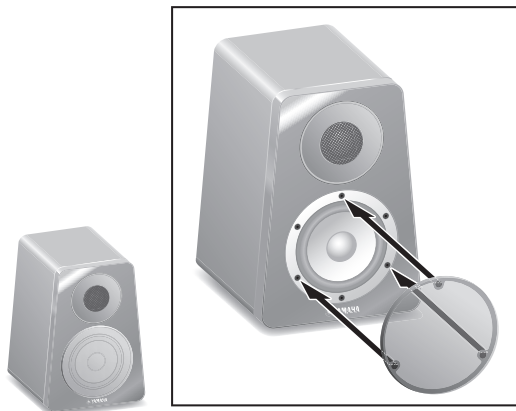
■ Si utiliza una clavija banana



1. Apriete la perilla del terminal.
2. Inserte la clavija banana en el terminal.

FIJACIÓN DE LA REJILLA

El altavoz y la rejilla están embalados por separado. Para fijar la rejilla, alinee las proyecciones (imanes) del reverso de la rejilla con las cabezas de tornillo correspondientes del altavoz.



Notas

- Cuando se extraiga la rejilla, tenga cuidado de no tocar la parte vibrante de los altavoces con las manos ni de ejercer fuerza excesiva con herramientas.
- No toque ni golpee el diafragma del altavoz. De lo contrario, el altavoz podría funcionar mal.
- El reverso de la rejilla tiene imanes pegados. Cuando extraiga la rejilla, no la coloque cerca de objetos que puedan verse afectados por campos magnéticos, como televisores de tubos de rayos catódicos, relojes, tarjetas magnéticas, disquetes, etc.

ESPECIFICACIONES

Tipo Sistema de altavoz de suspensión acústica de 2 vías
Tipo de blindaje no magnético

Controlador Woofer de cono de 12 cm × 1
PMD avanzado
Altavoz de agudos con bóveda de aluminio de 3 cm
Diafragma DC

Impedancia 6 Ω

Respuesta de frecuencia 50 Hz - 50 kHz (-10 dB)
100 kHz (-30 dB)

Potencia de entrada nominal 30 W

Potencia máxima de entrada 120 W

Sensibilidad 84 dB/2,83 V/m

Frecuencia de cruce 4,2 kHz

Dimensiones (An ×Al ×Pr) 190 × 284 × 177 mm

Peso 3,5 kg

* Especificaciones sujetas a cambios sin previo aviso debido a modificaciones del producto.

* El cable de altavoz no se incluye con este modelo.

Garantía limitada para el Área Económica Europea (AEE) y Suiza

Gracias por haber elegido un producto Yamaha. En el caso poco probable de que su producto Yamaha necesite el servicio que concede la garantía, póngase en contacto por favor con el concesionario a quien adquirió el producto. Si usted tiene alguna dificultad, póngase en contacto por favor con la oficina representativa de Yamaha en su país. Podrá encontrar todos los detalles necesarios en nuestros sitios Web (<http://www.yamaha-hifi.com/> o <http://www.yamaha-uk.com/> para los residentes del Reino Unido).

El producto tiene una garantía de dos años, a partir de la fecha de la compra original, que cubre las reparaciones de las averías que pueda tener debido a defectos en la mano de obra o en los materiales empleados en su fabricación. Yamaha se compromete, sujeto a las condiciones listadas más abajo, a reparar el producto o cualquier pieza (o piezas) que tenga defectos, o a sustituirlo, a discreción de Yamaha, sin cobrar ningún honorario por las piezas o la mano de obra. Yamaha se reserva el derecho de reemplazar un producto por otro de clase y/o precio y condiciones similares, en el caso de que éste no se fabrique más o se considere que las reparaciones resultan poco económicas.

Condiciones de la garantía

1. El producto defectuoso DEBERÁ ir acompañado de la factura o recibo de venta original (que muestre la fecha de la compra, el código del producto y el nombre del concesionario), junto con una explicación que describa detalladamente la avería. Si falta esta prueba clara de la compra, Yamaha se reserva el derecho a no proveer el servicio de reparaciones gratis, y el producto podrá ser devuelto al cliente corriendo éste con todos los gastos relacionados con el envío.
2. El producto DEBERÁ haber sido adquirido en el establecimiento de un concesionario Yamaha AUTORIZADO dentro del Área Económica Europea (AEE) o Suiza.
3. El producto no deberá haber sido sometido a ninguna modificación ni alteración, a menos que ésta haya sido autorizada por escrito por Yamaha.
4. De esta garantía se excluye lo siguiente:
 - a. El mantenimiento periódico y la reparación o sustitución de piezas debidos al desgaste natural.
 - b. Los daños debidos a:
 - (1) Reparaciones realizadas por el propio cliente o por un tercero que no cuente con ninguna autorización.
 - (2) Embalaje inadecuado o maltrato, cuando el producto está siendo transportado desde el lugar de residencia del cliente. Tenga en cuenta que el cliente es el responsable de embalar el producto adecuadamente cuando éste es devuelto para ser reparado.
 - (3) Mal uso, incluyendo, pero sin limitarse a: (a) no usar el producto de forma normal o no seguir las instrucciones de uso, mantenimiento y almacenamiento apropiadas indicadas por Yamaha, y (b) instalación o uso del producto de forma inconsistente con las normas técnicas o de seguridad vigentes en el país donde éste se utiliza.
 - (4) Accidentes, rayos, agua, fuego, ventilación inadecuada, fuga de pilas o cualquier otra causa fuera del control de Yamaha.
 - (5) Defectos del sistema en el que se incorpora este producto e/o incompatibilidad con productos de terceros.
 - (6) Uso de un producto importado en la EEA y/o Suiza, no por Yamaha, donde ese producto no cumple con las normas técnicas o de seguridad del país donde se usa y/o con la especificación estándar de un producto vendido por Yamaha en la EEA y/o en Suiza.
5. Cuando las garantías del país donde se compra el producto y del país donde éste se usa son diferentes se aplicará la garantía del país donde se usa el producto.
6. Yamaha no se hará responsable de ninguna pérdida o daño directo, emergente o de cualquier otro tipo; sólo se hará responsable de la reparación o sustitución del producto.
7. Haga una copia de seguridad de cualquier configuración o datos personalizados, ya que Yamaha no se hará responsable de ninguna alteración o pérdida que tal configuración o datos puedan sufrir.
8. Esta garantía no afecta a los derechos legales del consumidor bajo las leyes nacionales aplicables vigentes, ni a los derechos del consumidor contra el concesionario surgidos de su contrato de venta/compra.

МЕРЫ ПРЕДОСТОРОЖНОСТИ

Ознакомьтесь со следующей информацией перед использованием акустической системы.

- Для обеспечения наилучшего результата, пожалуйста, внимательно изучите данную инструкцию. Храните ее в безопасном месте для дальнейшего использования.
- Устанавливайте акустическую систему в прохладном, сухом, чистом месте, вдали от окон, источников тепла, вибрации, пыли, влаги и холода. Не устанавливайте систему рядом с источниками электрических помех (трансформаторы, двигатели). Не подвергайте акустическую систему воздействию дождя или воды для предотвращения возникновения пожара или поражения электрическим током.
- Для предотвращения деформации или обесцвечивания корпуса акустической системы не размещайте ее в месте воздействия прямого солнечного света или в месте с повышенной влажностью.
- Не устанавливайте следующие предметы на акустическую систему.
 - Стелянные, фарфоровые изделия, небольшие металлические предметы и т.д.
Если стеклянный предмет упадет из-за вибрации и разобьется, осколки могут нанести травму.
 - Зажженные свечи и т.д.
Если свеча упадет из-за вибрации, это может привести к пожару и нанести травму.
 - Емкости с водой
Падение емкости с водой из-за вибрации и вытекание воды могут стать причиной повреждения акустической системы или привести к поражению электрическим током.
- Не размещайте акустическую систему в местах с инородными материалами, например с каплюющей водой. Это может привести к возникновению пожара, повреждению акустической системы и получению травм.
- Не размещайте акустическую систему в местах, где она может быть перевернута или ударена падающими предметами. При размещении на

устойчивой поверхности также улучшится звучание акустической системы.

- Размещение акустической системы на одной поверхности с проигрывателем может привести к образованию акустической обратной связи.
- В случае появления искажения звука уменьшите уровень громкости на усилителе. Не позволяйте усилителю работать в “зоне среза”. В противном случае это может привести к повреждению акустической системы.
- При использовании усилителя с номинальной выходной мощностью, превышающей номинальную входную мощность акустической системы, необходимо соблюдать осторожность, чтобы не превысить максимальную входную мощность акустической системы.
- Не применяйте различные химические составы для очистки акустической системы; это может привести к разрушению отделочного покрытия. Используйте чистую сухую ткань.
- Не пытайтесь модифицировать или ремонтировать акустическую систему. При необходимости проведения обслуживания обратитесь в сервис-центр YAMAHA. Ни в коем случае не следует открывать корпус акустической системы.
- **Владелец акустической системы несет ответственность за ее размещение и надежную установку. YAMAHA не несет ответственность за любые несчастные случаи, вызванные неправильным размещением или установкой акустической системы.**

Уход за акустической системой

Для поддержания блеска и чистоты полированной поверхности вытирайте ее мягкой сухой тканью. Во избежание повреждения отделки не применяйте такие химические составы, как спирт, бензин, растворители, средства от насекомых и т. д. Кроме того, не используйте влажную ткань и ткань, пропитанную химическими растворителями, и не кладите на колонку пластиковые или виниловые листы. В противном случае отделка может отслаиваться, цвет — блекнуть, а листы — прилипать к поверхности.

Компания Yamaha рекомендует пользоваться тканью Yamaha Unicon (продается отдельно). Для сложных загрязнений используйте полироль Yamaha Piano Unicon (продается отдельно). Ткань Yamaha Unicon и полироль Piano Unicon можно приобрести у ближайшего дилера Yamaha.

СОДЕРЖАНИЕ

ПРИЛАГАЕМАЯ ПРИНАДЛЕЖНОСТЬ	2
РАСПОЛОЖЕНИЕ ДИНАМИКОВ	2
ПОДКЛЮЧЕНИЕ К УСИЛИТЕЛЮ	4
УСТАНОВКА РЕШЕТКИ	5
ТЕХНИЧЕСКИЕ ХАРАКТЕРИСТИКИ	5

ПРИЛАГАЕМАЯ ПРИНАДЛЕЖНОСТЬ

После распаковки убедитесь в наличии следующих принадлежностей.



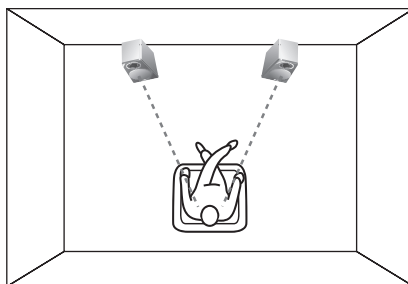
Решетка (x1)

Решетка отсоединена от акустической системы и упакована отдельно. Соблюдайте осторожность, чтобы не потерять ее.

РАСПОЛОЖЕНИЕ ДИНАМИКОВ

■ Использование 2-канальных стереофонических динамиков

Наилучшего стереофонического эффекта можно добиться, слегка повернув динамики по направлению к слушателю.

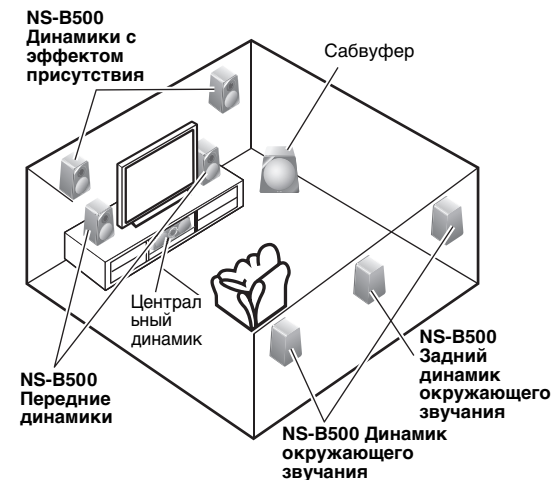


■ Использование в качестве передних динамиков в многоканальных системах

Расположите динамики с обеих сторон от телевизора. Важно правильно расположить динамики, так как от этого зависит общее качество звучания многоканальной системы. Настройте динамики с учетом расположения места прослушивания, следуя инструкциям руководства по эксплуатации используемого усилителя.

■ Использование в качестве динамиков с эффектом присутствия или динамиков окружающего звучания/задних динамиков окружающего звучания

Установите динамики на стене или на полке. Определите лучшее положение, следуя инструкциям руководства по эксплуатации используемого усилителя.



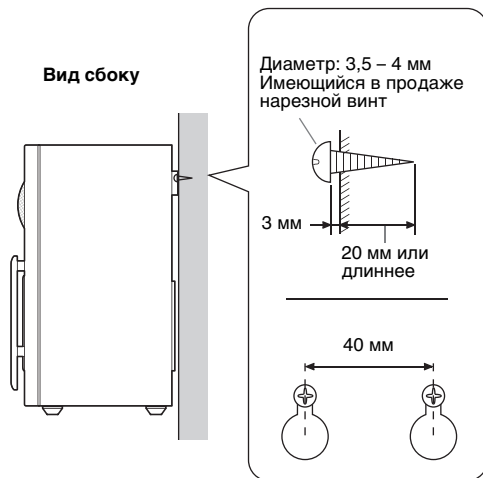
■ Установка динамика

• Установка на стену с помощью установленного монтажного кронштейна

Закрепите имеющиеся в продаже винты на прочной стене или настенном креплении, как показано на рисунке, и повесьте монтажный кронштейн на выступающие винты.

Примечание.

Убедитесь, что винты надежно закреплены в узких частях отверстий.



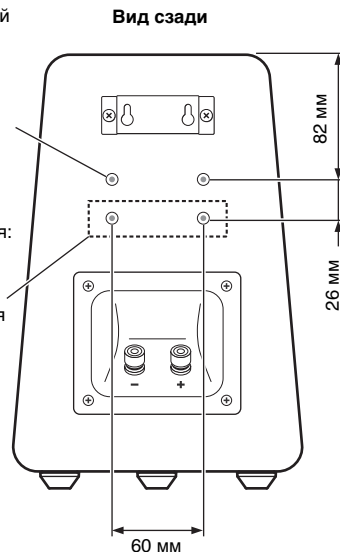
• Установка на стену или потолок с помощью имеющегося в продаже кронштейна

Отверстия для винтов на задней поверхности данного устройства можно использовать для установки динамиков с помощью имеющихся в продаже кронштейнов (если установленный на заводе кронштейн не используется).

Обратитесь к руководству по эксплуатации, поставляемому с кронштейном динамика.

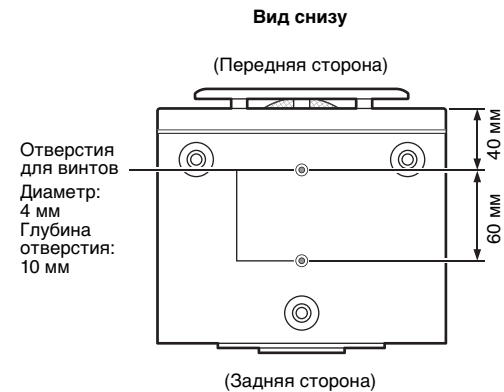
Отверстие с резьбой для кронштейна
При использовании кронштейна с четырьмя отверстиями, прикрепите его с помощью четырех винтов.
Диаметр: 6 мм
Глубина отверстия: 15 мм

При использовании кронштейна с двумя отверстиями, прикрепите его с помощью этих двух отверстий для винтов.



• Использование имеющейся в продаже подставки для динамика

В случае установки динамика на имеющейся в продаже подставке, используйте крепежные отверстия для винтов на нижней стороне динамика.



Примечания

- Не устанавливайте динамики на тонкой фанере или стене из мягкого материала. В противном случае винты могут выйти из поверхности и динамик может упасть, что может привести к его повреждению или получению травм.
- Не закрепляйте динамик на стене с помощью гвоздей, а также клеящих или других нестабильных крепежных деталей. При длительном использовании и вибрации динамик может упасть.
- При использовании имеющегося в продаже кронштейна, выбирайте кронштейн, который будет надежно удерживать вес динамика (3,5 кг).
- Соблюдайте осторожность, чтобы не защемить кабели между динамиком и кронштейном или подставкой.
- Во избежание заедания о кабели динамиков надежно прикрепите кабели к стене.
- Слишком близкое расположение динамика к телевизиору с электронно-лучевой трубкой может ухудшить цвет изображения или привести к появлению гула. В этом случае отодвиньте динамик дальше от телевизора. Это не относится к жидкокристаллическим и плазменным телевизорам.

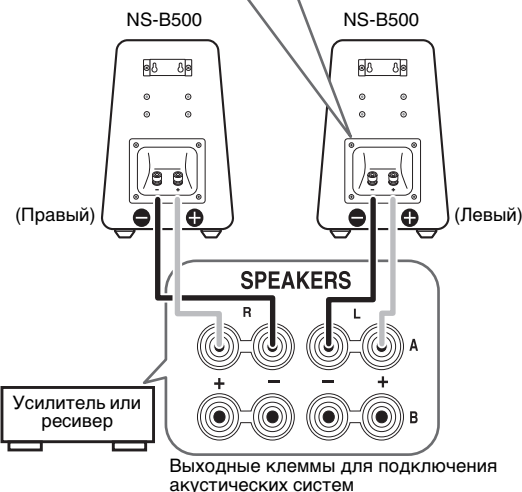
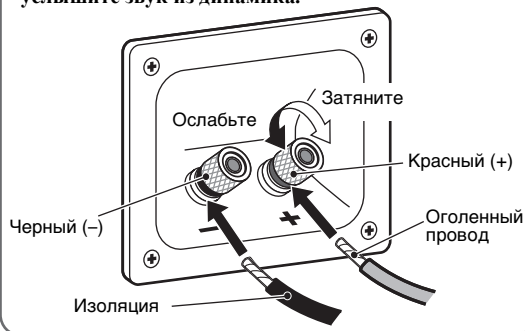
ПОДКЛЮЧЕНИЕ К УСИЛИТЕЛЮ

Перед выполнением соединений обязательно отключите усилитель.

Стандартное подключение

Примечание.

Не вставляйте в клеммы изолированные кабели. В случае неправильного подключения вы не услышите звук из динамика.

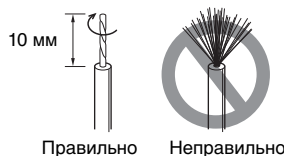


■ При подключении акустического кабеля

- Избегайте соприкосновения оголенных проводов кабеля для предотвращения повреждения акустической системы или усилителя.
- Убедитесь, что динамики подключаются с соблюдением правильной полярности— положительные клеммы (+) к положительным клеммам (+), а отрицательные клеммы (-) к отрицательным клеммам (-). В случае перекрестного подключения звук будет неестественным, с пониженным уровнем нижних частот.
- Обратитесь к руководству по эксплуатации, поставляемому с усилителем или ресивером.

■ Подключение кабелей динамика

1. Ослабьте ручку клеммы.
2. Снимите около 10 мм изоляции с каждого конца кабеля, затем аккуратно и плотно скрутите оголенные концы кабеля, как показано на рисунке.



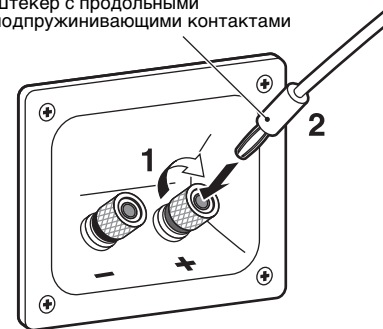
3. Вставьте оголенные концы кабеля в клеммы.
4. Затяните ручку и закрепите кабель.
5. Проверьте надежность соединения, слегка потянув за кабель в области клеммы.

Примечания

- При использовании усилителя с номинальной выходной мощностью, превышающей номинальную входную мощность акустической системы, необходимо соблюдать осторожность, чтобы не превысить максимальную входную мощность акустической системы.
- Продолжительный вывод определенных звуков с высоким уровнем громкости может привести к повреждению динамика. Чтобы предотвратить повреждение динамика, уменьшите уровень громкости, например, в случае продолжительного вывода синусоидальных волн с тестового диска, низкочастотных звуков электронных инструментов и т.д., или в случае касания звукоснимающей головки поверхности диска.

■ Использование штекера с продольными подпружинивающими контактами

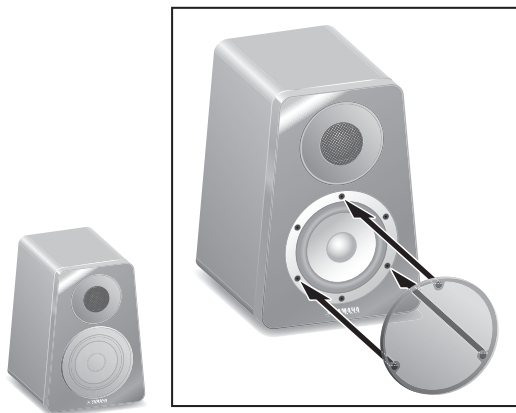
Штекер с продольными подпружинивающими контактами



1. Затяните ручку клеммы.
2. Просто вставьте штекер с продольными подпружинивающими контактами в клемму.

УСТАНОВКА РЕШЕТКИ

Решетка упакована отдельно от акустической системы. Чтобы установить решетку, совместите выступающие части (магниты) на задней части решетки с соответствующими головками винтов на акустической системе.



Примечания

- При снятии решетки не касайтесь динамиков и не прилагайте излишних усилий в случае использования инструментов.
- Не касайтесь динамика и не подвергайте ударам его мембрану. В противном случае это может привести к неисправности акустической системы.
- С обратной стороны решетки установлены магниты. После снятия решетки не располагайте ее близко к предметам, чувствительным к магнитному полю, например телевизор с электронно-лучевой трубкой, часы, магнитные карты, дискеты и т.д.

ТЕХНИЧЕСКИЕ ХАРАКТЕРИСТИКИ

Тип2-полосная акустическая система закрытого типа
	Немагнитный тип защиты
Динамики1 низкочастотный динамик конического типа диаметром 12 см
	Усовершенствованная технология PMD
	высокочастотный динамик с алюминиевым куполом диаметром 3 см
	мембрана постоянного тока
Импеданс 6 Ω
Частотная характеристика от 50 Гц до 50 кГц (-10 дБ)
	100 кГц (-30 дБ)
Номинальная входная мощность 30 Вт
Максимальная входная мощность 120 Вт
Чувствительность 84 дБ/2,83 В/м
Частота разделения каналов 4,2 кГц
Габариты (Ш×В×Г) 190 × 284 × 177 мм
Вес 3,5 кг

- * Технические характеристики могут изменяться без предварительного уведомления из-за усовершенствования продукта.
- * Акустический кабель не входит в комплект поставки.

Информация для пользователей по сбору и утилизации старой аппаратуры



Этот знак на аппаратуре, упаковках и в сопроводительных документах указывает на то, что подержанные электрические и электронные приборы не должны выбрасываться вместе с обычным домашним мусором.

Для правильной обработки, хранения и утилизации старой аппаратуры, пожалуйста сдавайте их в соответствующие сборные пункты, согласно вашему национальному законодательству и директив 2002/96/ЕС.

При правильном отделении этих товаров, вы помогаете сохранять ценные ресурсы и предотвращать вредное влияние на здоровье людей и окружающую среду, которое может возникнуть из-за несоответствующего обращения с отходами.

За более подробной информацией о сборе и утилизации старых товаров пожалуйста обращайтесь в вашу локальную администрацию, в ваш приёмный пункт или в магазин где вы приобрели эти товары.

[Информация по утилизации в других странах за пределами Европейского Союза]

Этот знак действителен только на территории Европейского Союза. Если вы хотите избавиться от этих предметов, пожалуйста обратитесь в вашу локальную администрацию или продавцу и спросите о правильном способе утилизации.

注意事项

使用本扬声器前敬请阅读。

- 为了确保获得最佳性能，请仔细阅读本使用说明书，并妥善保管，以备将来参考。
- 请在凉爽、干燥、清洁的地方安装本扬声器。应远离窗口、热源，避免在振动过大、灰尘过多、湿气过重和温度过低的地方使用。应远离电子干扰源（变压器及马达）。为了避免火灾或电击的危险，请勿将本装置暴露于雨水或湿气中。
- 为防止扬声器箱变形或变色，请勿将扬声器放置于受阳光直接照射或特别潮湿的地方。
- 扬声器上禁止放置下列物品：
 - 玻璃、瓷器、小金属物等。
如果玻璃等因振动而掉落并打碎，有可能造成人员受伤。
 - 燃烧的蜡烛等。
如果蜡烛因振动而掉落，有可能引起火灾和人员受伤。
 - 装有水的容器
如果容器因振动而掉落或者水溢出，有可能使扬声器受损，和 / 或引起触电。
- 请勿将扬声器放置在有异物的地方，例如水滴。否则可能导致火灾、装置损坏和 / 或人员受伤。
- 请勿将扬声器放置在易受到掉落物体碰撞或撞击的地方。稳定放置也将确保更佳音质。
- 将扬声器放在同一支架或架子上如同转台车，会导致声音反馈。
- 一旦发觉失真，请减小放大器音量。切勿使放大器出现“限幅”现象。否则可能损坏扬声器。
- 如果使用放大器时额定输出功率高于扬声器的标称输入功率，请小心不要超过扬声器的最大输入功率。

- 请勿使用化学溶剂清洁扬声器，否则可能损坏涂层。请使用清洁的干布。
- 请勿试图改装或修理扬声器。需要任何服务时，请联系有资质的 YAMAHA 服务人员。无论如何都不能打开箱体。
- 安全放置和安装由用户自行负责。若扬声器因放置或安装不当而造成事故，YAMAHA 公司概不负责。**

爱护扬声器

为了保持表面整洁光亮，请用干燥的软布擦拭。为避免损坏表面涂层，请勿使用酒精、轻质汽油、稀释剂、杀虫剂等化学溶剂。请勿使用湿布或任何含化学溶剂的布匹类型，也不要将塑料或乙烯基布匹放置覆盖在扬声器上。否则，可能发生表面涂层剥落、颜色褪色或布匹粘住设备表面。

YAMAHA 推荐使用 Yamaha Unicon 布（另售）。对于顽固污渍，请使用 Yamaha Piano Unicon（另售）。您可以在离您最近的 YAMAHA 经销商处购买 Yamaha Unicon 布和 Yamaha Piano Unicon。



该标记附加在出售到中华人民共和国的电子信息技术产品上。环形中的数字表示的是环境保护使用期限的年数。

- ：表示该有毒有害物质在该部件所有均质材料中的含量均在 SJ/T 11363-2006 标准规定的限量要求以下。
- ×：表示该有毒有害物质至少在该部件的某一均质材料中的含量超出 SJ/T 11363-2006 标准规定的限量要求。

部件名称	有毒有害物质或元素					
	铅 (Pb)	汞 (Hg)	镉 (Cd)	六价铬 (Cr(VI))	多溴联苯 (PBB)	多溴二苯醚 (PBDE)
外壳箱体	×	○	○	○	○	○
扬声器单元	×	○	○	○	○	○

目录

提供附件	2
放置扬声器	2
连接到放大器	4
安装格栅	5
规格	5

提供附件

拆开包装后，确保内含以下附件。



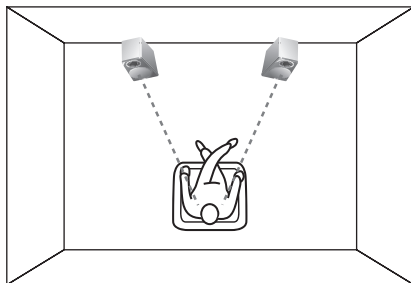
格栅 (x1)

格栅是从扬声器上拆下的，分开包装。小心不要将其弄丢。

放置扬声器

■ 用作 2 声道立体声扬声器

当扬声器略微成一定角度对着听众时，将获得较佳的立体声效果。

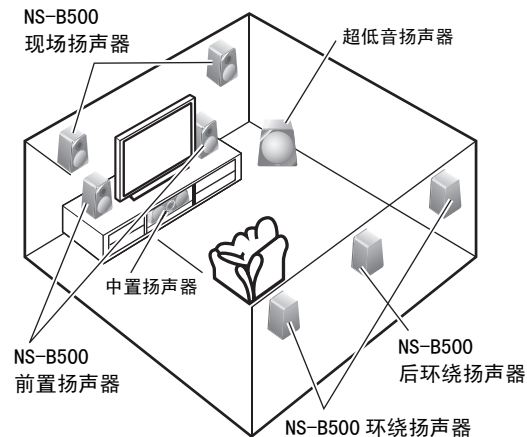


■ 在多声道系统中用作前置扬声器

将扬声器放置在电视机的两侧。扬声器的位置很重要，因为它决定着多声道系统的整体音质。按照放大器的使用说明书，根据聆听位置来放置扬声器。

■ 用作现场或环绕 / 后环绕扬声器

将扬声器安装在墙壁上或放置在搁板上。参考放大器附带的使用说明书确定最佳位置。



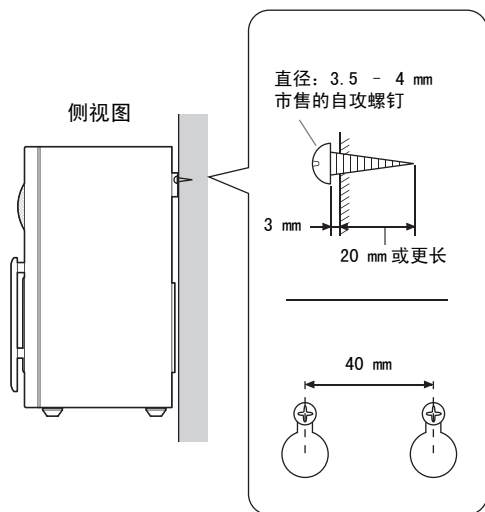
■ 安装扬声器

• 通过附带的安装支架安装在墙壁上

如图所示将市售的螺钉拧入坚固的墙壁或墙柱上，然后将安装支架孔挂在伸出的螺钉上。

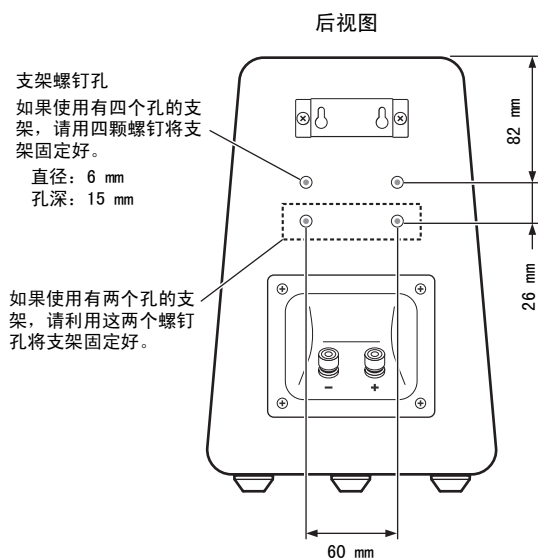
注意

确保螺钉牢固拧入开孔的细孔部位。



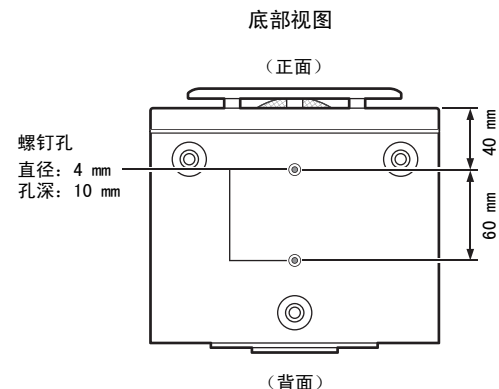
• 通过市售的支架安装在墙壁或天花板上

您可以使用本装置背后的螺钉孔将扬声器安装到市售的扬声器支架上（如果不使用出厂附带的安装支架）。请参见扬声器支架附带的使用说明书。



• 使用市售的扬声器底脚

如果是将扬声器安装在市售的扬声器底脚上，请使用扬声器底部的安装螺钉孔。



注意

- 严禁将扬声器安装在薄木板或表面材质松软的墙壁上。否则，可能会造成螺丝的脱落和扬声器的跌落，并可能损坏扬声器或造成人员受伤。
- 切勿用钉子、粘合剂或不牢固的五金件将扬声器安装在墙体上。长期使用和振动可能会导致这些五金件掉落。
- 如果使用市售的支架，请选择能牢固支撑扬声器重量（3.5 kg）的支架。
- 小心不要挤压扬声器与扬声器支架或扬声器底脚之间的扬声器电缆。
- 为避免因扬声器电缆松动而发生意外，请将电缆牢固地固定到墙体上。
- 将扬声器放置在距离 CRT 电视机过近的地方时，会影响图像的色彩或发出嗡嗡声。发生此类情况时，请将扬声器移到远离电视机的地方。LCD 电视机和等离子电视机不存在上述问题。

连接到放大器

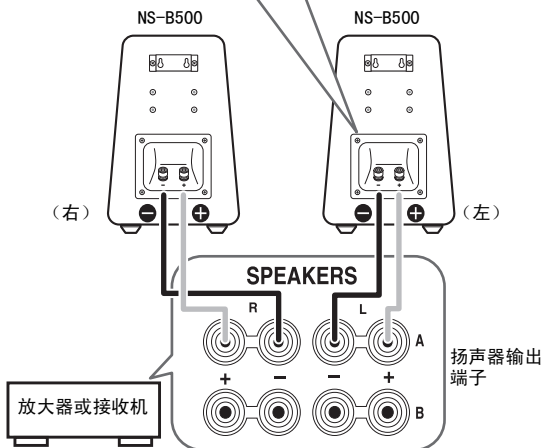
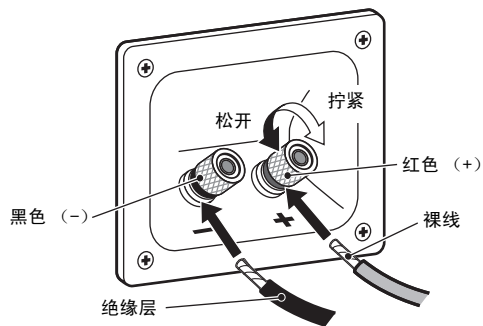
进行连接前必须关闭放大器。

标准连接

注意

请勿将绝缘部分插入孔中。

如果连接错误，您将无法从扬声器听到任何声音。

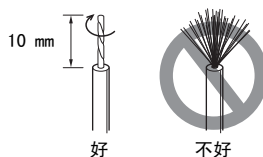


■ 连接扬声器电缆时

- 请勿使裸露的扬声器电线互相接触，否则可能损坏扬声器或放大器。
- 连接扬声器时，确保不要弄错极性，即正极 (+) 与正极 (+) 相连，负极 (-) 与负极 (-) 相连。如果将极性弄反，声音会不自然或听不到低音。
- 请参见放大器或接收机附带的使用说明书。

■ 如何连接扬声器电缆

1. 松开端子旋钮。
2. 如下所示，剥去每根电缆末端 10 mm 绝缘层，然后将露出的导线整齐并紧紧地拧在一起。

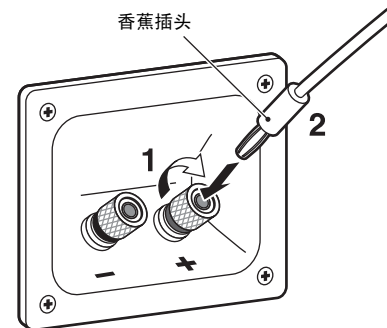


3. 插入裸线。
4. 拧紧旋钮并紧固电缆。
5. 轻拉端子上的电缆，检查连接是否牢固。

注意

- 如果使用放大器时额定输出功率高于扬声器的标称输入功率，请小心不要超过扬声器的最大输入功率。
- 如果以较高的音量水平连续输出某些声音，可能会损坏扬声器。例如，如果从测试光盘连续输出正弦波或从电子仪器连续输出低音等等，或者唱机转盘的唱针接触到碟片的表面，则应降低音量水平，以防损坏扬声器。

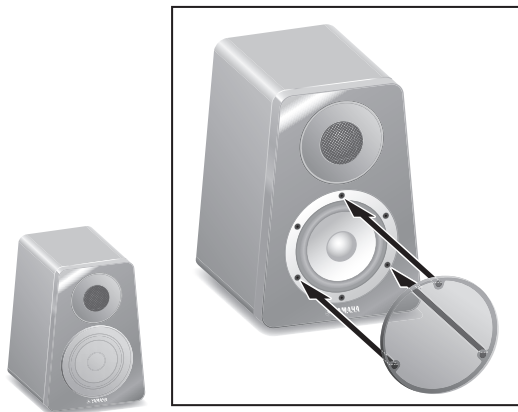
■ 使用香蕉插头时



1. 拧紧端子旋钮。
2. 只需将香蕉插头插入端子。

安装格栅

扬声器和格栅是分开包装的。安装格栅时，请将格栅反面的凸出部分（磁体）对准扬声器上对应的螺钉头。



注意

- 当取下格栅时，小心不要触摸驱动单元，且不要用工具施力。
- 请勿触摸扬声器振动膜或使其受到撞击。否则，扬声器可能会出现故障。
- 格栅反面有磁体。取下格栅后，请勿将其靠近可能受磁体影响的物体，如 CRT 电视机、时钟、磁卡、磁盘等。

规格

类型	2 路声学悬浮扬声器系统 非磁屏蔽型
驱动单元	12 cm 锥形低频扬声器 x 1 高级 PMD 3 cm 铝质球顶形高频扬声器 DC 振动膜
阻抗	6 Ω
频率响应	50 Hz 至 50 kHz (-10 dB) 100 kHz (-30 dB)
标称输入功率	30 W
最大输入功率	120 W
灵敏度	84 dB/2.83 V/m
分频频率	4.2 kHz
尺寸（宽 x 高 x 深）	190 × 284 × 177 mm
重量	3.5 kg

- * 由于产品改进，若有规格变更恕不另行通知。
- * 此型号不附带扬声器电缆。

